

Video Security



EKR-KB1

Universal Keyboard for Matrix Switchers
EKR Series, Pantone Coolgray 1C

Art-Nr. 75207



Features

Operation of EKR-(8)16/4 , EKR-32/8 Matrixes
Fixed or Variable Speed Control
Camera and Monitor Call-Up
Programmable Sequences/Salvos and Tours
LCD Display

Addressable
RS-485 Serial Interface
Supply Voltage: 12VDC
Direct Control of P/T Head and Dcmr Cameras

Specifications

Macro function

Up to 10 free configurable virtual keys for macro functions

Direct mode

Via RS-485, RJ-11 interface for the P/T head series VPT-41/-42 and for Dome cameras from eneo, Pelco, Elbex, Ernitec, Elmo, JVC, Panasonic, Samsung, Santec, Sensormatic, Star, VCL, and others

PC interface

RS-232 for firmware update

Control Interface

1x RS-485 for Matrix and Multiplexer control. 2x RS-485 for independent daisy-chain control of up to 999 telemetry receivers each, via 1200m max. distance

Joystick

3-axis proportional joystick for manual control of variable speed

Control functions

Keys select cameras and monitors, operate presets, patterns, auxiliaries, and sequences; Camera functions: pan, tilt, zoom, focus, iris for fixed or variable speed control of pan and tilt heads and dome cameras

Backup

Set-up and firmware update via RS-232 Interface (Distance of up to 15m max.)

Menu languages

English, German, French, Italian

Password protection

3 password levels: Connection, set-up, alarm reset

Supply voltage

12VDC (Power supply 100-240VAC included)

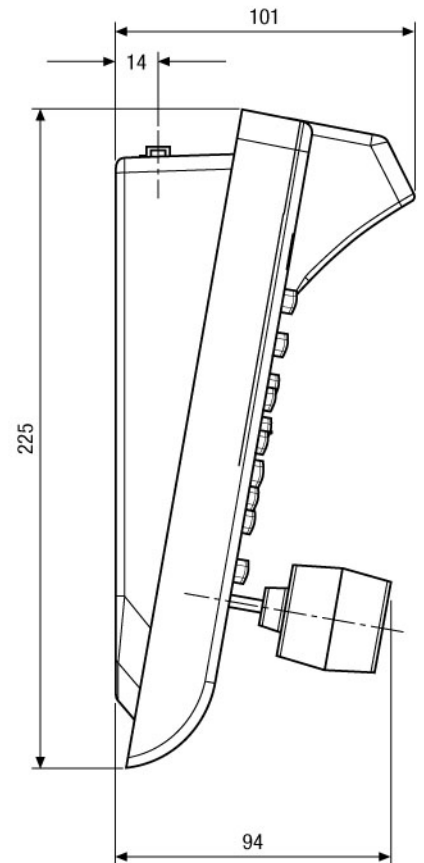
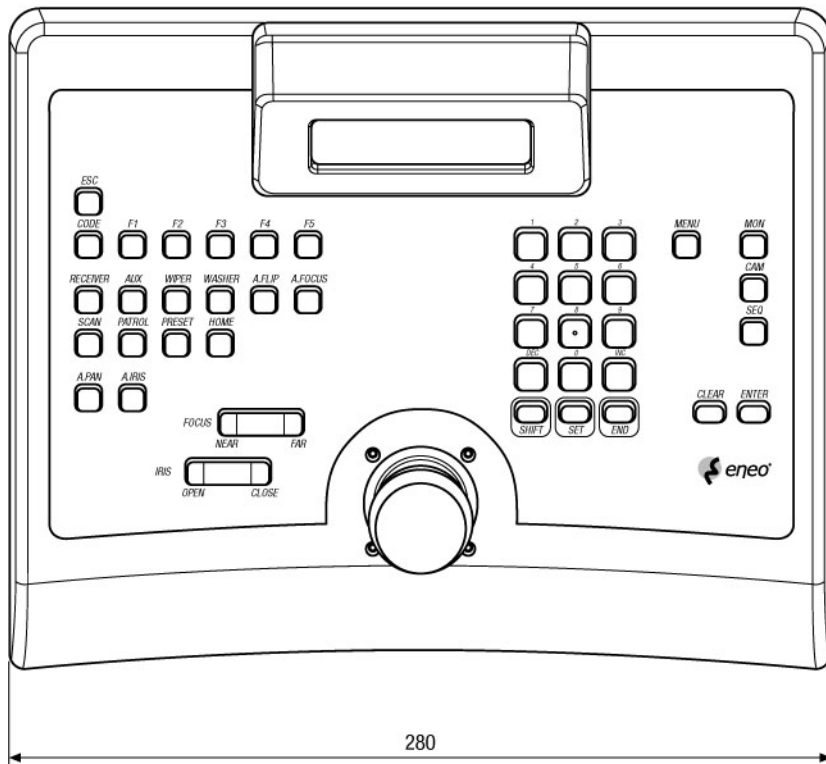
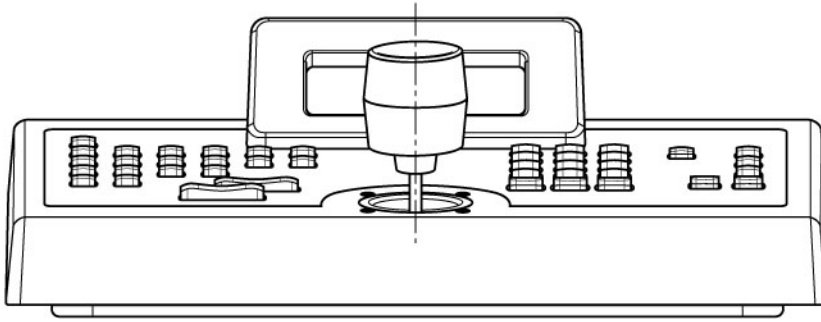
EKR-KB1

(Specifications continued)

Housing	Thermo-resistant and shock proof ABS plastic
Colour	White finish
Dimensions (HxWxD)	See drawing
Weight	1.7kg
Parts supplied	Wide range power supply, 3x power and 4x RJ-11 cables, 4x RJ shunt box, German/english manual (other languages upon request)

Accessories of

75202 / EKR-8/4	8-4 Video/Telemetry Matrix Switcher,
75208 / EKR-16/4	16-4 Video/Telemetry Matrix Switcher,
75206 / EKR-32/8	32-8 Video/Telemetry Matrix Switcher,
73259 / VPT-41RSVT-PO	Pan/Tilt Head with Receiver Board
73564 / VPT-42RSVT-PO1	Pan/Tilt Head with Receiver Board
73558 / VPT-42MC/24VP01	Pan/Tilt Head with Receiver Board
73729 / VPT-41RSP-PO	Pan/Tilt Head with Receiver Board
73728 / VPT-42RSP-PO	Pan/Tilt Head with Receiver Board
73787 / SD53CBW-PG-E0-X	Colour HighSpeed Dome, 23x Zoom, Tinted
73789 / SD53C22-F0-X	Colour HighSpeed Dome, 22x Zoom, Tinted
73788 / SD53CBW-PG-E1-X	Colour HiSpeed IR-Dome, 23x, Clear
73792 / SD53C22-PG-E0X	Colour HighSpeed Dome, 22x Zoom, Tinted
73793 / SD53C22-PG-E1X	Colour HighSpeed Dome, 22x Zoom, Clear
73791 / SD53C22-PG-0-X	Colour HighSpeed Dome, 22x Zoom, Tinted
73781 / SD53TC-F0-X	Colour High Speed Dome, 16x Zoom
73782 / SD53TC-PG-0-X	Colour HighSpeed Dome, 16x Zoom, Tinted
73783 / SD53TC-PG-E0-X	Colour HighSpeed Dome, 16x Zoom, Tinted
73784 / SD53TC-PG-E1-X	Colour HighSpeed Dome, 16x Zoom, Clear
73785 / SD53CBW-F0-X	Colour HighSpeed IR-Dome, 23x Zoom
73786 / SD53CBW-PG-0-X	Colour HighSpeed IR-Dome, 23x Zoom
73692 / ES30C16-5W	Integrated Positioning System with
73591 / ES3012-5W	Pan/Tilt Head with Camera
73592 / ES3012-5N	Pan/Tilt Head with Camera
73694 / ES30CBW18-5W	Integrated Positioning System with
73693 / ES30C22-5W	Integrated Positioning System with
73879 / SD53C22-SMW-0-X	Color HighSpeed Dome Camera for Surface
73881 / SD53CBW-SMW-0-X	Color/IR HighSpeed Dome Camera, Surface
73874 / SD53TC-SMW-0-X	Color HighSpeed Dome Camera, Surface



SLD Security & Communications
 The Old Forge, Ockham Lane, Ockham, Surrey GU236PH England
 Phone +44.1483225633 · Fax +44.1483225634
 sales@sld.co.uk · www.sld.co.uk

