

Video Security



WD-7/MK

Wall Mount with Swivel Head for VTL Series Outdoor Housings, black

Art-No. 79790



Features

For Wall Mounting
For Weatherproof Housings (VTL Housing Series)
Rugged Aluminium Construction

Swivel head with Large Adjustment Range
Ready for Installation

Specifications

Mounting distance from fixing point	300 mm
Load capacity	5kg
Turning range of the swivel head	360°
Tilt range	Approx. 90°
Material	Aluminium
Colour	Black
Dimensions (HxWxD)	See drawing
Weight	1kg

Accessories

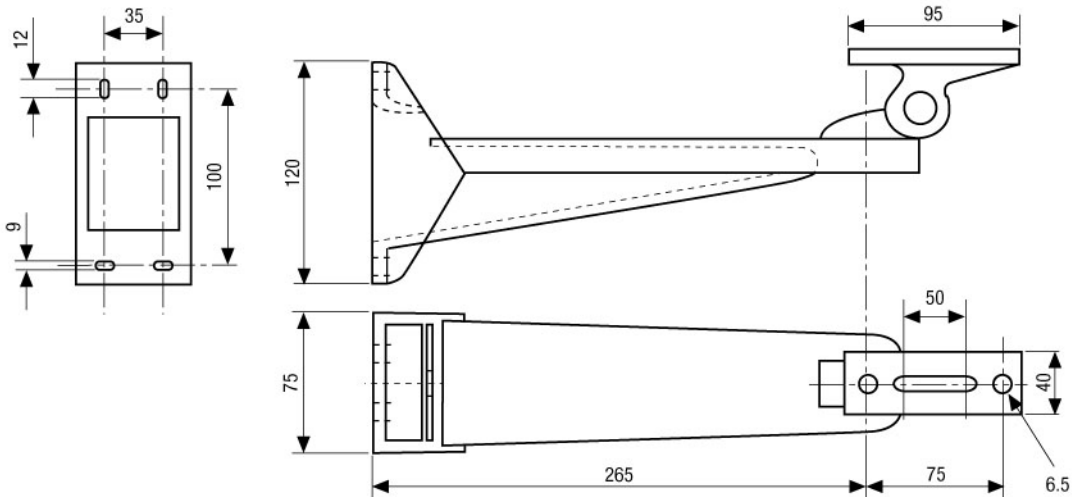
79593 / PM-6D	Pole Mount Adapter for 2 Wall Mounts, (50-140mm Pole), RAL9002
79592 / PM-6S	Pole Mount Adapter for 1 Wall Mount, (50-140mm Pole), RAL9002
79613 / CMA-2	Corner Mount Adapter for Wall Brackets WD-5, WD-7, VTL-WW, VHK-WW, RAL9002

Accessories of

79484 / VTL-W/N2	Weatherproof Housing (300mm) with Heater/Thermostat, 230VAC
------------------	---

Product Information

When mounting the wall mount bracket, ensure that only dowels which are approved for this type of construction are used.



Maße/Dimensions: mm

SLD Security & Communications
The Old Forge, Ockham Lane, Ockham, Surrey GU23 6PH England
Phone +44.1483225633 · Fax +44.1483225633
sales@sld.co.uk · www.sld.co.uk

