

VHM/ECLKB-210

Home | Security | Housings | for Boxed Cameras

VHM/ECLKB-210
Weatherproof Housing (210mm) with Heater,
Thermostat, CBD, RAL7032, 24VAC

Art-Nr. 79555



Main Features

Camera Weatherprotection	3 Cable Entries
Housing Body Length: 210mm	Screen Heater 12-30V Included
Fold-down Housing Body	Viewing Screen with "Clear-Shield"Technology
4 Levels of Camera Height Adjustment	Incorporated Carrier Handle
Insulated Camera Mounting	Housing Surface: RAL7032
Integrated Connection Board	

Specifications

Series	eneo VHM
Maximum installation length	210
Cable entries	3x M16x1.5mm
Window screen	Coated with "Clear Shield"Technology. With this technology the glass corrosion, caused by environmental pollution, is avoided and screen cleaning cycles will be extended. The coating is UV light resistant, colour neutral and it causes no F-stop loss.
Clear Shield	yes
Window heater	yes, 12~30V/9watts (PTC)
Thermostat	On: +16°C, Off: +20°C
Blower	no
Wiper	no
Supply voltage	12~30VAC/DC
Sunshield	yes

VHM/ECLKB-210

(Continuation Specifications)

Hidden cable management	no
Integrated wall mount	no
Protection rating	IP66
Housing	Outdoor
Housing material	Aluminium
Housing	Aluminium with plastic covers (ABS)
Colour (housing)	RAL7032
Dimensions (HxWxD)	See drawing
Weight	2.2kg
Parts supplied	Screw set, Thermostat switch, Screw terminal

Optional accessories

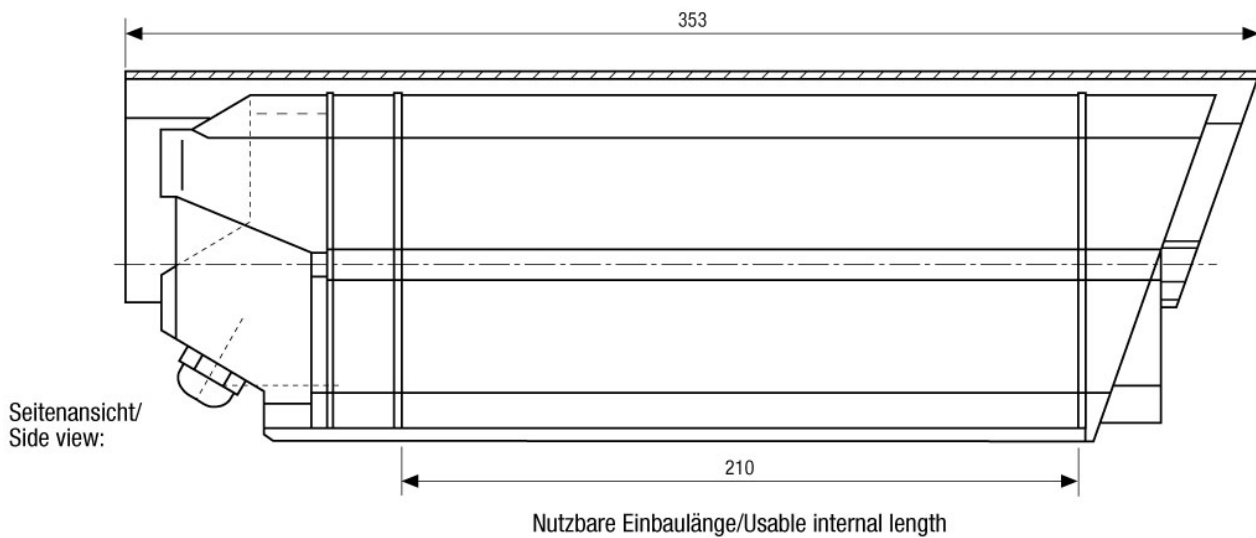
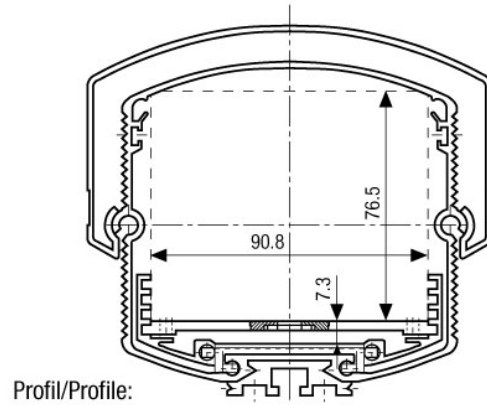
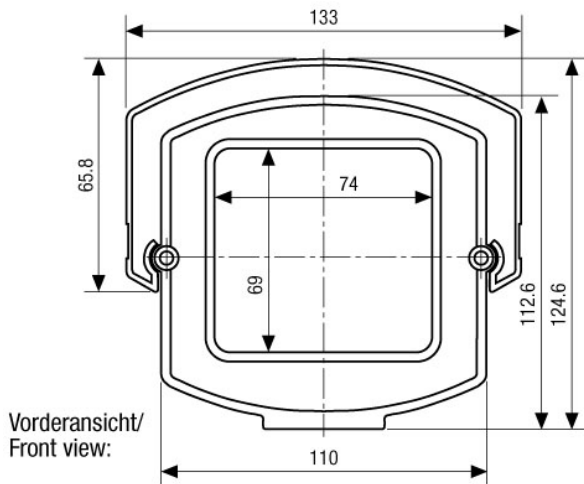
73178	WD-16/MK-KG	Wall Mount with Swivel Head for VHM Weatherproof Housings, RAL7032
73082	WD-14/MKL	Wall Mount with Swivel Head for Weatherproof Housings, RAL7032
73064	WD-16/MK	Wall Mount with Swivel Head for VHM Weatherproof Housings, RAL7032
71301	VHM/H220	VHM Window Heater 110-265VAC (PTC Element)

VHM/ECLKB-210

Home | Security | Housings | for Boxed Cameras

Technical drawing

79416



Maße/Dimensions: mm

SLD Security & Communications
The Old Forge, Ockham Lane, Ockham, Surrey GU236PH England
Phone +44.1483225633 · Fax +44.1483225634
sales@sld.co.uk · www.sld.co.uk

