

Video Security



PM-6S
 Pole Mount Adapter for 1 Wall Mount,
 (50-140mm Pole), RAL9002
Art-No. 79592



Features

For Pole Mounting
 For Housing series: VTL, VTL-WW, VHK and VHK-WW

Rugged Construction
Ready for Installation

Specifications

For pole diameters	50 ~ 140mm
Material	Di-cast aluminium
Load capacity	10kg
Colour	RAL9002
Kind of mounting	Screw-fixed mounting bracket and locking jaw
Dimensions (HxWxD)	See drawing

Accessories of

79484 / VTL-W/N2	Weatherproof Housing (300mm) with Heater/Thermostat, 230VAC
79488 / VTL-WWA	Weatherproof Housing (300mm) with Heater Thermostat, Wallbracket, RAL9002, 230VAC
79553 / VTL-WWC	Weatherproof Housing (300mm) with Heater Thermostat, Wallbracket, RAL9002, 12VDC
79558 / VHK-DP/EC	Dustproof Housing (270mm) with Wallbracket, RAL9002
79559 / VHK-W/ECKA	Weatherproof Housing (270mm) w. Heater Thermostat, Wallbracket, RAL9002, 230VAC
79564 / VHK-W/STKA	Weatherproof Housing (270mm) w. Heater Thermostat, Wallbracket, RAL9002, 230VAC
79750 / WD-5/MK	Wall Mount with Swivel Head for weatherproof Housing, black
79790 / WD-7/MK	Wall Mount with Swivel Head for VTL Series Outdoor Housings, black

PM-6S

(Accessories of continued)

79792 / WD-7/MK RAL7032

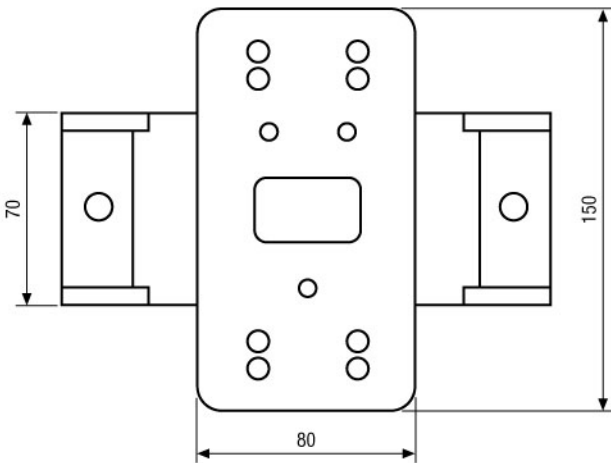
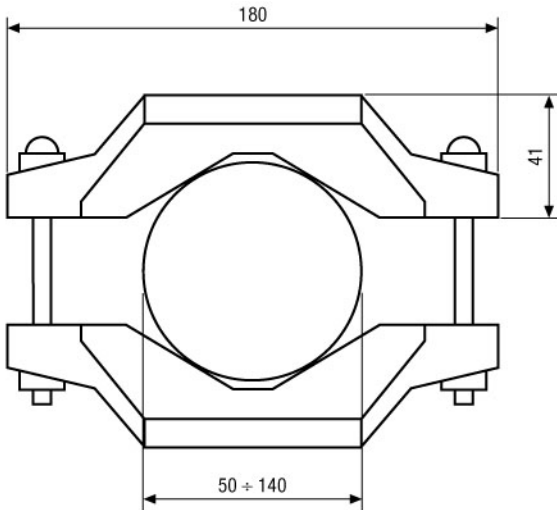
Wall Mount with Swivel Head for Outdoor Housings,
RAL7032

79597 / VHK-WWA

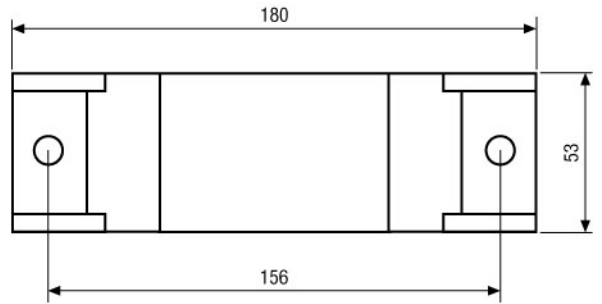
VHK housing 270m with Sunshield, Heater 230VAC,
Wallbracket, RAL9002

Product Information

*) Fitted for the wall brackets WD-5/MK, WD-7/MK, und WD-10 as well (Attention: different finish)



Montageplatte
Bracket holder



Gegenplatte
Locking plate

Maße/Dimensions: mm