

PM-6D

Home | Security | Housings | Accessories

PM-6D
Pole Mount Adapter for 2 Wall Mounts,
(50-140mm Pole), RAL9002

Art-Nr. 79593



Main Features

For pole mounting
Fixing for 2 wall brackets WD-5/MK or WD-7/MK
For housing series: VTL and VTL/WW

Rugged construction
Ready for installation

Specifications

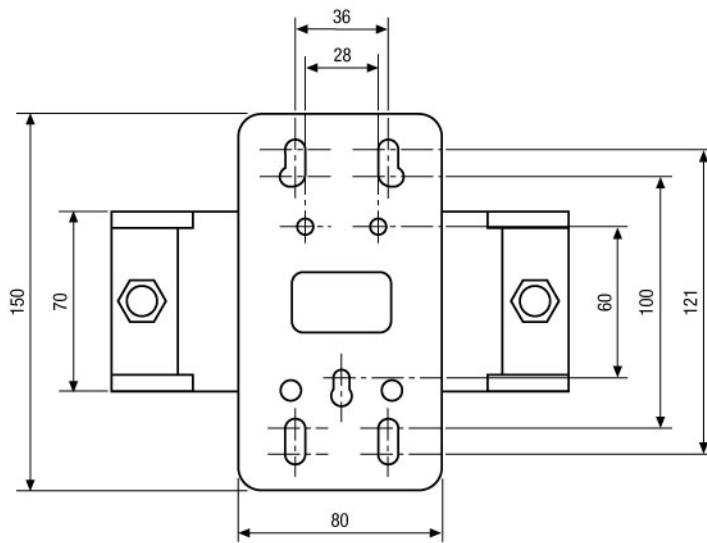
Colour	RAL9002
For pole diameters	50 ~140mm
Load capacity	15kg
Kind of mounting	Screw-fixed mounting brackets
Material	Di-cast aluminium
Dimensions (HxWxD)	see drawing

PM-6D

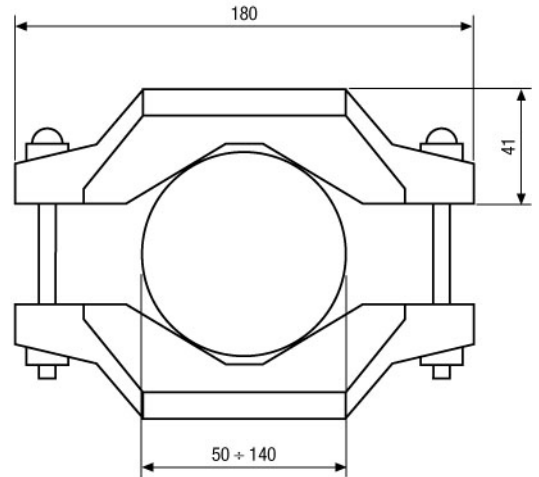
Product information

*) Fitted for the wall brackets WD-5/MK, WD-7/MK and WD-31/MK as well (Attention: partwise different finish)

Technical drawing



Montageplatte
Bracket holder



Maße/Dimensions: mm

SLD Security & Communications
The Old Forge, Ockham Lane, Ockham, Surrey GU236PH England
Phone +44.1483225633 · Fax +44.1483225634
sales@sld.co.uk · www.sld.co.uk

