

Video Security



VKC-1327A/WDDG2

1/3" Day&Night Dome Camera, Surface Mnt.
F1.2/3.8-9.5mm, Removable IR CF, 540TVL

Art-No. 92167

SLD Security &
Communications



Features

For Wall and Drop-ceiling Mount
Vandal and Tamper-Resistant
Clear Lexan Bubble with Inner Liner
1/3" Day/Night CCD Board Camera with Varifocal Lens
Built-in Lens F1.2/3.8-9.5mm with DC Iris Control
Resolution of 540 Horizontal Lines

Removable IR Cut Filter
Automatic Shutter Control (AES)
Back Light Compensation (BLC)
Manual 3-axis Camera Adjustment
For Easy Indoor and Outdoor Installation
Certified according to BGV Kassen

Specifications

Video standard	CCIR/PAL
System	day&night, CCIR/PAL
Sensor size	1/3"
Imager	CCD, Sony Super HAD Interline Transfer CCD
Active picture elements	approx. 440,000, 752(H) x 582(V)
Synchronization	Internal/Line-lock (automatic detection depend on power source)
Signal-to-noise ratio	48dB
Sensitivity (at 50% video signal)	0,5Lux, (0.32Lux), Colour, 0.24Lux (0.15Lux), B&W at F1.2 each (AGC-Turbo). VT measurement result
Horizontal resolution	540TVL
Rotation range	manual: 360°
Automatic gain control (AGC)	Normal/Turbo (+6dB)
Gamma correction	approx. 0.45
Automatic shutter control (AES)	1/50 ~ 1/100,000sec.
Integration rate	no
Digital Noise Reduction (DNR)	no
White balance (ATW)	2000 ~ 8000K, Automatic

(Specifications continued)

Backlight compensation	BLC, On/Off switchable
IR cut filter	yes
Video outputs (type)	CVBS, VBS
Video outputs	1Vp-p, CVBS, 75ohms
Lens mount	integrated lens
Lens type	varifocal
Lens	F1.2/F2.0~360 / 3.8~9.5mm with galvanometer controlled iris
Application range	day/night, security
Nominal format size	1/3"
Aspherical technology	yes
Focal length	3,8-9,5mm
Horizontal angle of view	74,2-30°
Focus range	0.15m ~ ?
Iris control	DC
MOD (Minimum object distance)	0,15m
Filter screw size	not available
Mount	n/a
Internal adjustments	8 Dip switches: Internal/Line-lock synchronization, ELC/ALC (manual/motorized Iris), BLC ON/OFF, AGC Normal/Turbo, Flickerless ON/OFF, Sharpness Normal/Sharp, Day/Night mode Enabled/Disabled, IR mode ON/OFF (Iteration reduction between day and night position). 2 Potentiometers: Level for DC controlled iris, V. phase adjustment (220° min. adjustable)
Cable connection	Video (BNC), Power (2-pin screw terminal)
Cable entry	3/4" and 1/2" thread for conduit glands, lock stopper included
Serial interfaces	no
Temperature range (Operation)	-10° ~ +50°C
Heater	optional
Thermostat switching points	+2.4°C ON / +22°C OFF (heater kit 12V, #71664, optional)
Temperature range with built-in heater	-30°C ~ +50°C
Protection rating	IP65, at installation according to the manual
Supply voltage	12VDC, 24VAC, 12VDC (10.5~30VDC) 24VAC (12~29VAC)
Power consumption	approx. 3.0watts
Vandalism resistant	yes
Bubble	Vandal resistant 3mm clear polycarbonate bubble with inner liner
Colour (bubble)	clear
Camera fixing	board
Mounting	surface mount, wall mount
Housing	outdoor housing, Die-cast aluminium with clear polycarbonate bubble
Housing material	aluminium
Colour (housing)	Pantone Cool Gray 1C

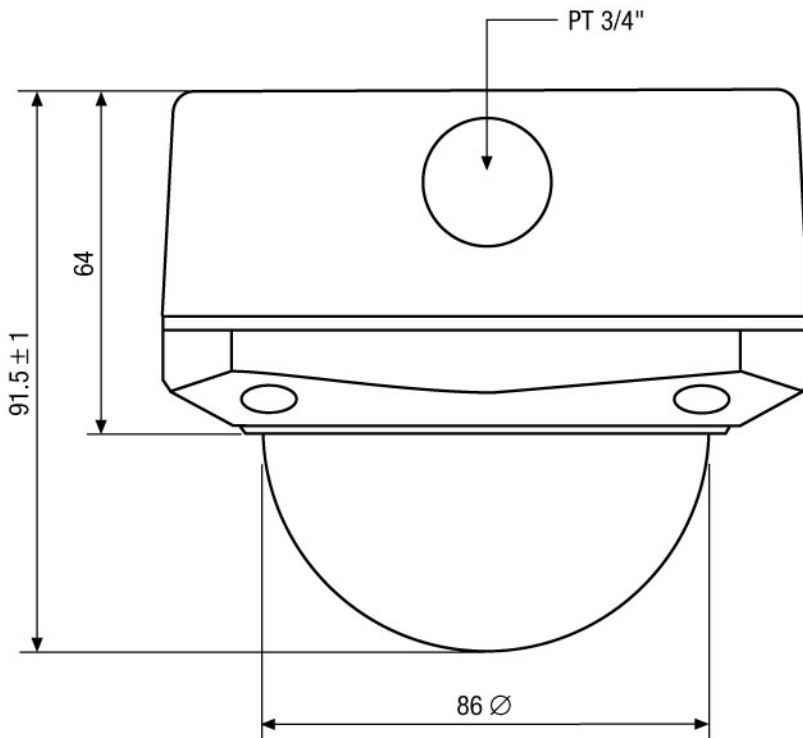
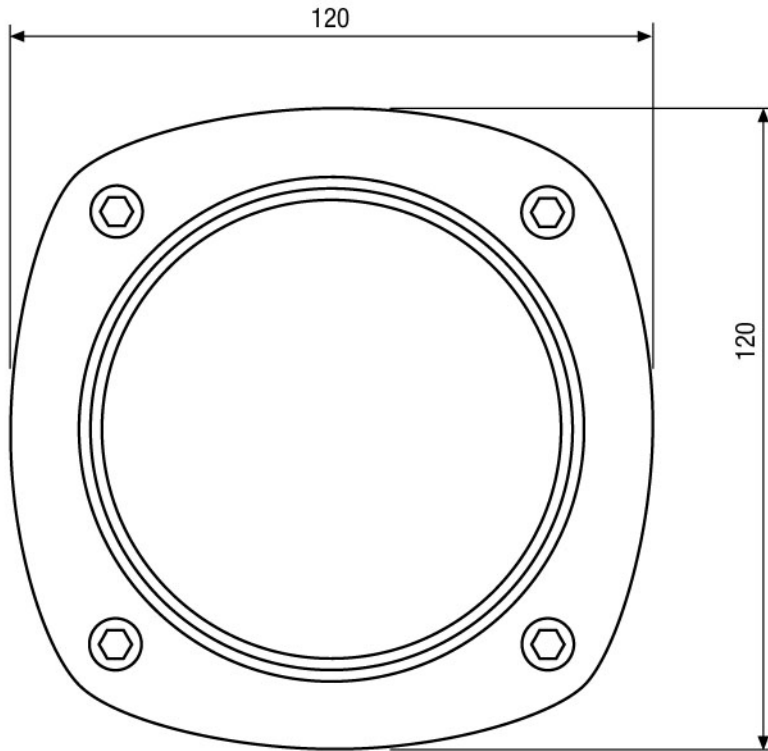
VKC-1327A/WDDG2

(Specifications continued)

Dimensions (HxWxD)	See drawing
Weight	approx. 750g
Parts supplied	Mounting kit, 1/2" gland, Blind covers, Torx wrench key

Accessories

71664 / WDDG2/H12	Low Voltage Heater Kit 12V/8W for WDDG-2 housing
77773 / VT-PS12DCDT1	PSU 12VDC/1.0A, Regulated, Desktop Version, 1.8m Cables each w. open ends
70495 / VT-PS12DC-7	Plugable PSU w. Cont. & UK Mains plug-in 100-240VAC/12VDC-1.25A, Regulated
70543 / VT-PS12DC-10	Plugable AC/DC Adapter 100-240V/12VDC- 2.5A, stab., Cont. & UK Mains plug-ins
88149 / 3/4" - M25X1.5	Thread Adapter 3/4" - Conduit Connection M25x1.5mm for Dome Surface Mount Housing



Maße/Dimensions: mm

SLD Security & Communications
 The Old Forge, Ockham Lane, Ockham, Surrey GU236PH England
 Phone +44.1483225633 · Fax +44.1483225634
 sales@sld.co.uk · www.sld.co.uk

