

# YV10X5R4A-SA2L

Home | Security | Lenses | Varifocal

YV10X5R4A-SA2L  
F1,6/5-50mm DC Varifocal Lens with No Focus Shift,  
1/3" CS Mount  
Art-Nr. 45251



**FUJINON**  
FUJIFILM

## Main Features

Suitable for 1/3" and 1/4" Colour and B&W Cameras  
No-Focus-Shift from Visible to Near IR Light Range  
Variable Focal Length  
Aspherical Lens Elements

CS Mount  
High Standard of Optical and Mechanical Quality  
Without Built-in Auto Iris Amplifier  
With 4-pin Connector

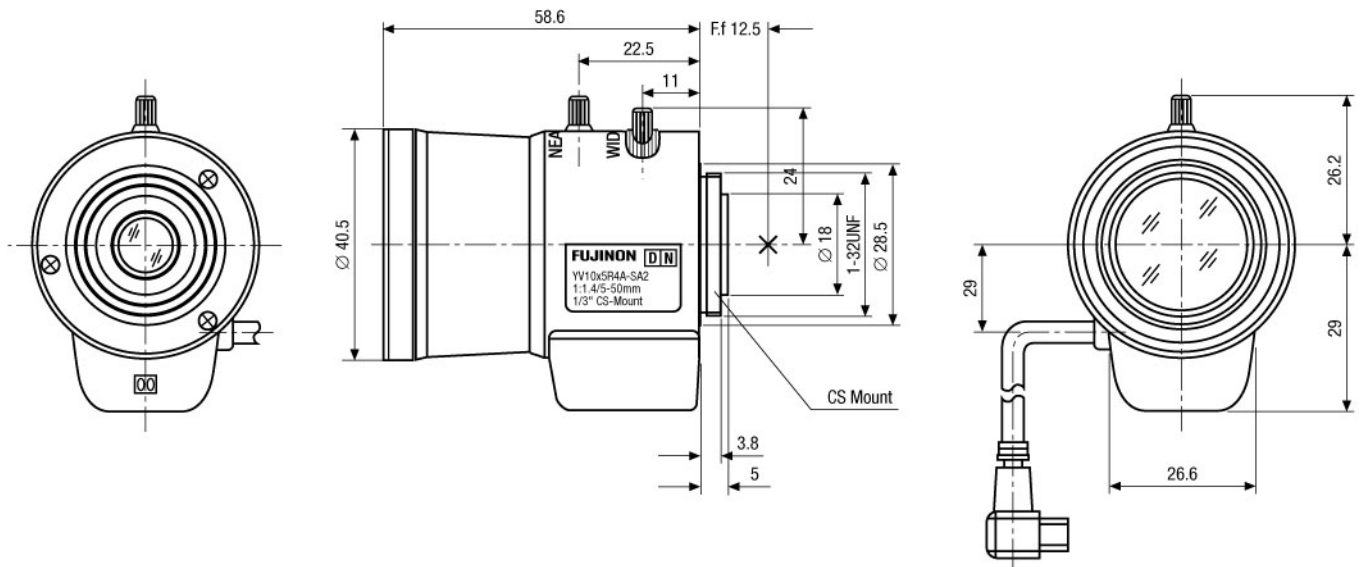
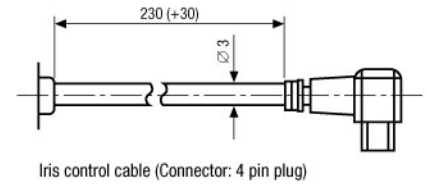
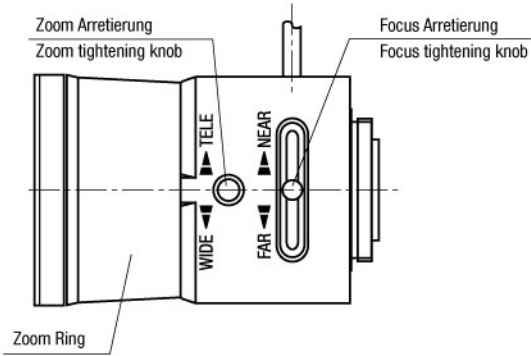
## Specifications

Lens type	varifocal
Application range	day/night
Aspherical technology	yes
Nominal format size	1/3"
Flange focal length	12.5mm
Mount	CS
Focal length	5 mm - 50 mm
Horizontal angle of view	51,3° - 5,5°
MOD (Minimum object distance)	0,3 m
Aperture range (F)	F1.6~F360
Iris control	DC
Screw-in depth	5.0mm
Filter screw size	not available
Cable length	approx. 23cm
4-pin plug	Standard
Temperature range (Operation)	-10° ~+50°C
Dimensions (LxDxH)	See drawing
Weight	85g

# YV10X5R4A-SA2L

Home | Security | Lenses | Varifocal

## Technical drawing



Maße/Dimensions: mm

SLD Security & Communications  
 The Old Forge, Ockham Lane, Ockham, Surrey GU236PH England  
 Phone +44.1483225633 · Fax +44.1483225634  
 sales@sld.co.uk · www.sld.co.uk

