

Video Security



VKD-136

1/3" B&W Dome Camera, Drop Ceiling Mount with 3.6mm lens, 12VDC, 420TVL

Art-No. 91799



Wall mount is not included with the dome camera

Features

For Drop Ceiling Mount

Clear bubble with Inner Liner

Resolution of 370 Horizontal Lines

High Sensitivity

Built-in Lens F2.0/3.6 mm

Electronic Shutter Control (ESC)

Easy Installation

Supply Voltage: 12 VDC

Option: Wall Mount Bracket

Specifications

Imager	1/3" Sony Super HAD Interline Transfer CCD
System	CCIR
Synchronization	Internal
Sensitivity at 50% video signal	1.6Lux at F2.0 (VT measurement result); 0.58Lux at F1.2
Horizontal resolution	370 TV lines
Electronic shutter control (ESC)	1/50 ~ 1/100,000sec. (automatic)
Lens	F2.0/3.6mm
Horizontal angle of view	69°
Horizontal turning range	110° (+/-55°)
Vertical tilt range	65° (25° ~ 90°, ceiling as reference)
External connections	Video (BNC), 12VDC (DC plug)
Video output	1Vp-p, VBS, 75ohms
Supply voltage	12VDC (+/-20%)
Power consumption	Approx. 1.2watts
Temperature range	-10°C ~ +50°C
Housing	Plastic with clear bubble and black inner liner
Mounting	Drop ceiling mount
Housing color	Light grey
Dimensions (DxH)	See drawing

VKD-136

(Specifications continued)

Weight

Approx. 120g

Options

Lenses 2.45, 8mm focal length ; Wall mount bracket

Accessories

40061 / H0820M

F2.0/8mm Board Camera Lens,

91805 / VKCD/WMB-1

Wall Mount for VKD-136, VKCD-143,

77779 / VT-PS12DC-UK

Power Supply Unit w. UK Mains plug-in,

40059 / H0225M

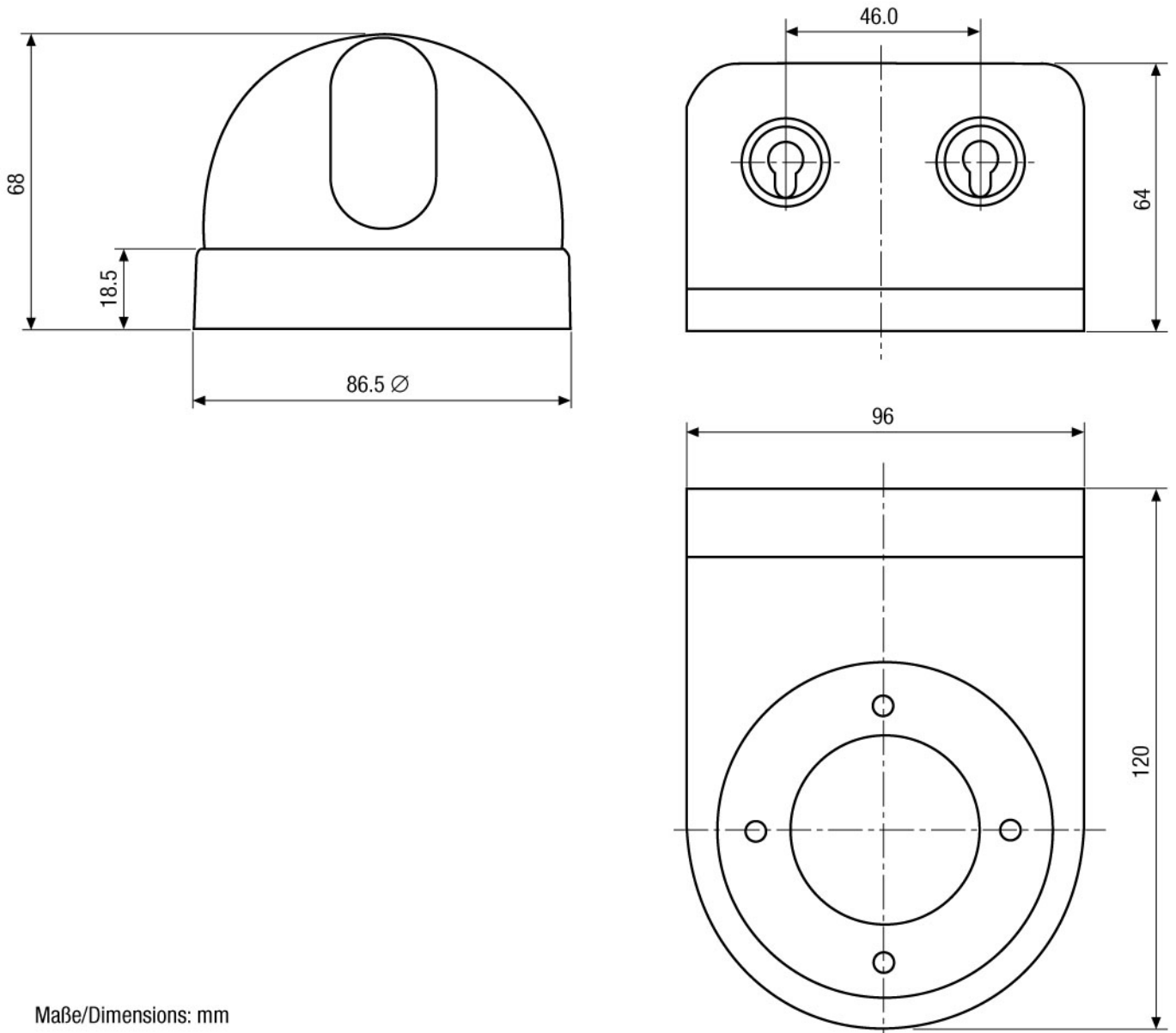
F2.5/2.5mm Board Camera Lens,

40065 / H1225

F2.5/12mm Board camera lens,

70447 / VT-PS12DC-5

Plug-in Power Supply Unit 100-240VAC



Maße/Dimensions: mm

SLD Security & Communications
The Old Forge, Ockham Lane, Ockham, Surrey GU236PH England
Phone +44.1483225633 · Fax +44.1483225633
sales@sld.co.uk · www.sld.co.uk

