

Video Security



VKD-134

1/3" B&W Dome Camera, Drop Ceiling Mount with 3.7mm lens, 12VDC, 420TVL

Art-No. 91781



Features

For Wall and Drop Ceiling Mount
Resolution of 420 Horizontal Lines
Built-in Pinhole Lens F2.0/3.7 mm
Electronic Shutter Control (ESC)

Internal Synchronization
Easy Installation
Supply Voltage: 12 VDC

Specifications

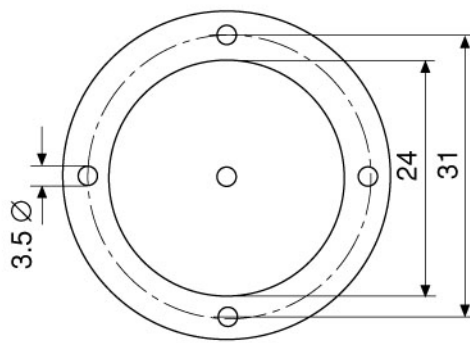
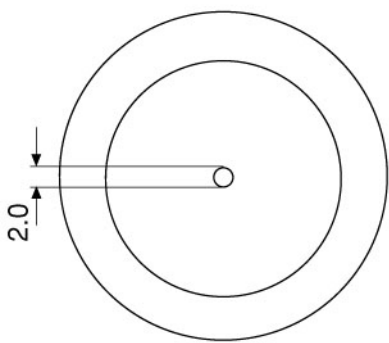
Imager	1/3" Sony Super HAD Interline Transfer CCD
Picture elements	Approx. 290,000 (H) 500 x (V) 582
System	CCIR
Synchronization	Internal
Sensitivity at 50% video signal	2.9Lux at F2.0 (VT measurement result); 1.0Lux at F1.2
Horizontal resolution	420 TV lines
Signal-to-noise ratio	>50 db (AGC OFF)
Electronic shutter control (ESC)	1/50 to 1/100,000 sec. (automatic)
Gamma correction	0.45 / 1.0
Dome size	F2.0/3.7 mm
Horizontal angle of view	68°
Horizontal turning range	360°
Vertical tilt range	Approx. +/-60°
External connections	Video (BNC), 12 VDC (Cinch)
Video output	1 Vp-p, VBS, 75 ohms
Supply voltage	12 VDC
Power consumption	1.2 W
Temperature range	-10° to +50°C
Housing	Aluminium
Mounting	Wall and drop ceiling mount

(Specifications continued)

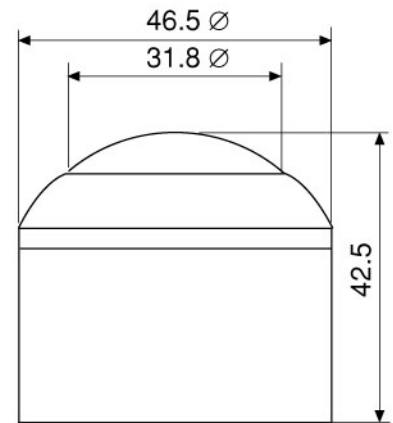
Colour	Grey anodized
Dimensions (HxWxD)	Siehe Maßzeichnung
Weight	120 g

Accessories

77779 / VT-PS12DC-UK	Power Supply Unit w. UK Mains plug-in,
70447 / VT-PS12DC-5	Plug-in Power Supply Unit 100-240VAC



Ansicht von unten
Bottom View



Maße/Dimensions: mm