

# VKCD-1331-T

Home | Security | Dome Cameras | Fixed

VKCD-1331-T

1/3" Dome, Fixed, Day&Night, WDR, DNR, tinted,

F1.2/2.8-10.5mm, 600TVL, 12/24V

**Art-Nr. 92598**



SLD Security & Communications

## Main Features

1/3" Sony progressive scan high resolution sensor  
Removable IR cut filter (ICR)  
Sensitivity of 0.22Lux at F1.2 (colour)  
Digital image stabilisation (DIS)  
Wide dynamic range (WDR) up to x160 (44dB)  
Automatic Gain Control (AGC)

High and low speed shutter control (MES/DSS)  
Digital noise reduction (2D&3D DNR)  
Manual 3-axis camera gimbal  
Multi-lingual on-screen menu control  
Supply voltage: 12VDC or 24VAC  
For wall and ceiling flush and surface mount

## Specifications

Video standard	CCIR/PAL
System	day&night
Sensor size	1/3"
Imager	CCD, Sony Super HAD Progressive Scan Interline Transfer
Synchronization	internal
Signal-to-noise ratio	52db (AGC OFF)
Sensitivity (at 50% video signal)	0,22 Lux, (colour), 0.13Lux (B&W) at F1.2 (measured)
Horizontal resolution	600 TVL
Automatic gain control (AGC)	OFF / Low / Mid / High selectable
Horizontal resolution	(colour), 650 TVL (B&W)
Rotation range	359°
Tilt range	55° (+35° ~+90° from horizontal level)
Manual electronic shutter (MES)	1/120 ~1/10.000sec.

# VKCD-1331-T

(Continuation Specifications)

<b>Low speed shutter</b>	yes, automatic, 2 ~256 Fps.
<b>Digital Noise Reduction (DNR)</b>	yes
<b>Window blanking</b>	Up to 8 masking areas
<b>Digital Noise Reduction (DNR)</b>	2D & 3D
<b>Flickerless function</b>	ON/OFF switchable
<b>White balance</b>	ATW / AWB, Indoor / Outdoor
<b>White balance (ATW)</b>	Range: 2,500~9,500K, to 1,800~10,500K switchable
<b>Backlight compensation</b>	BLC, adjustable zones, ON/OFF switchable
<b>Wide Dynamic Range (WDR)</b>	yes, 44dB
<b>Aperture Correction (APC)</b>	horizontal and vertical
<b>IR cut filter</b>	switchable
<b>Video outputs</b>	composite (CVBS), 1Vp-p, (C)VBS, 75ohms, BNC
<b>Lens type</b>	varifocal
<b>Lens</b>	F1.2 ~F260/2.8 ~11mm
<b>Focal length</b>	2,8 mm - 10,5 mm
<b>Horizontal angle of view</b>	81,2° - 25,8°
<b>Digital zoom</b>	1x ~10x
<b>Aperture range (F)</b>	F1.2~F260
<b>Iris control</b>	DC
<b>MOD (Minimum object distance)</b>	0,2 m
<b>Focus range</b>	0.2m ~∞
<b>Filter screw size</b>	not available
<b>Alarm outputs</b>	-
<b>Illumination</b>	no
<b>Activity detection</b>	yes
<b>Motion detector</b>	4 zones, ON/OFF switchable
<b>Analysis Functions</b>	no
<b>Menu languages</b>	English, German, French, Italian, Spanish
<b>OSD function control</b>	Brightness, Sharpness, Backlight Compensation, Electronic shutter (DSS), Manual high speed shutter (1/120 to 1/10,000), Automatic white balance, Manual white balance (Red/Blue), AGC, DNR, Motion Detection, Flickerless mode, Privacy window, Mirror, Day/Night
<b>Text display</b>	54 character label
<b>Sharpness correction</b>	adjustment range: 0 ~3
<b>Brightness</b>	adjustment range: -32 ~+32
<b>External connections</b>	Video (BNC), 2 pin power input
<b>Serial interfaces</b>	no
<b>Temperature range (operation)</b>	-10°C ~+50°C
<b>Heater</b>	optional
<b>Protection rating</b>	IP66

# VKCD-1331-T

(Continuation Specifications)

Supply voltage	12VDC, 24VAC
Supply voltage	(+/-10%)
Power consumption	2W
Vandalism resistant	yes
Colour (bubble)	tinted,
Mounting	ceiling mount, flush mount, wall mount
Housing	outdoor
Housing material	aluminium
Colour (housing)	Pantone Warm Gray 1C, ,
Weight	1.1kg
Parts supplied	Screw set, Pipe cap driver, Torx wrench, Mounting template, Service monitor board and control cable, Manual
Certificates	CE

## Optional accessories

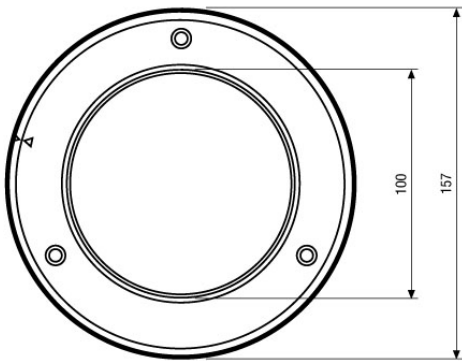
70535	VT-PS12DC-8	Plug-in Power Supply Unit 100-240VAC 12VDC (1.0Amp), Regulated, with DC Plug
70527	NE-132/AC24V	Power Supply Unit 230VAC/24VAC (1.0A)
70495	VT-PS12DC-7	Plugable PSU w. Cont. & UK Mains plug-in 100-240VAC/12VDC-1.25A, Regulated
77773	VT-PS12DCDT1	PSU 12VDC/1.0A, Regulated, Desktop Version, 1.8m Cables each w. open ends
92563	VDOME/WEDGE1	Wedge Mount Kit for VKCD-1329/IR and VKCD-1331
92565	VDOME/HB-K1	Heater & Blower Kit 24VAC for VKCD-1329/IR and VKCD-1331
92562	VDOME/WB4	Wall Mount Kit for VKCD-1329/IR and VKCD-1331

# VKCD-1331-T

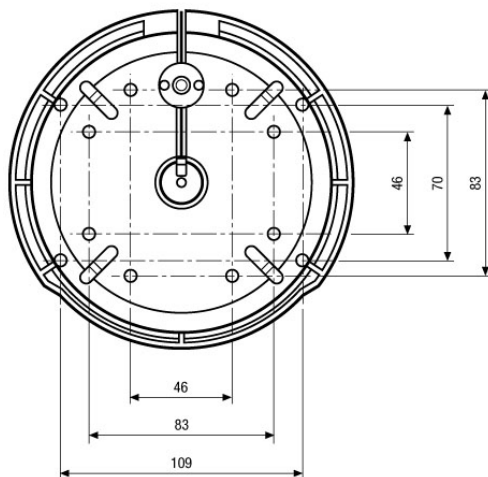
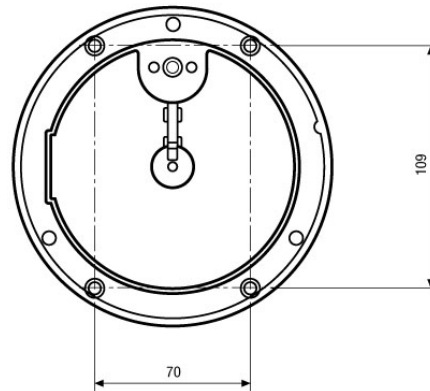
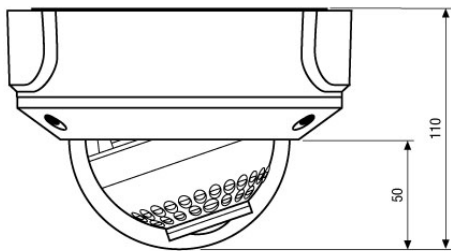
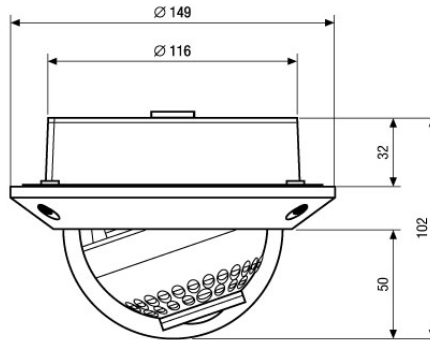
Home | Security | Dome Cameras | Fixed

## Technical drawing

### Aufbau / Surface Mount



### Einbau / Flush Mount



Maße/Dimensions: mm

SLD Security & Communications  
The Old Forge, Ockham Lane, Ockham, Surrey GU236PH England  
Phone +44.1483225633 · Fax +44.1483225634  
sales@sld.co.uk · www.sld.co.uk

SLD Security & Communications

