

# VKCD-1321SFM/MF

Home | Security | Dome Cameras | Fixed

VKCD-1321SFM/MF  
1/3" Colour Minidome, Flush Mount, F2.0/ 3.6mm,  
540TVL, 12VDC, Silver

Art-Nr. 92158



SLD Security &  
Communications

## Main Features

For Wall and In-ceiling Mount	Digital Signal Processing (DSP)
Vandal Resistant	Automatic White Balance (ATW)
1/3" Colour Board Camera with Super HAD CCD	Silver-coloured Aluminium Die-cast Casing
Integrated Lens F2.0/3.6mm	Clear Lexan Bubble, 57mm
Resolution of 540 Horizontal Lines	For Easy Indoor and Outdoor Installation (IP66)
Automatic Shutter Control up to 1:100,000Sec.	

## Specifications

Video standard	PAL
System	Colour
Sensor size	1/3"
Imager	CCD, Sony Super HAD Interline Transfer
Active picture elements	440,000, 752(H) x 582(V)
Synchronization	Internal
Signal-to-noise ratio	48dB
Sensitivity (at 50% video signal)	0.84Lux at F1.2 (Videor measurement result including bubble)
Horizontal resolution	540 TVL
Rotation range	360°
Automatic gain control (AGC)	Included
Gamma correction	approx. 0.45
High-speed shutter (ESC)	1/50 ~ 1/100,000sec.
Integration rate	no
Digital Noise Reduction (DNR)	no
White balance (AWB)	Automatic control

# VKCD-1321SFM/MF

(Continuation Specifications)

Backlight compensation	BLC
Aperture Correction (APC)	Horizontal and vertical
IR cut filter	standard
Video outputs (type)	CVBS
Video outputs	1Vp-p, CVBS, 75ohms
Lens mount	integrated lens
Lens type	fixed focal length
Lens	F2.0/3.6mm
Aspherical technology	no
Focal length	3,6 mm
Horizontal angle of view	68°
Iris control	no
MOD (Minimum object distance)	0,1 m
Filter screw size	not available
Cable connection	Video (BNC), 12VDC (DC jack)
Serial interfaces	no
Temperature range (Operation)	-10° ~+50°C
Heater	no
Protection rating	IP66, at installation according to the manual
Supply voltage	12VDC, 10 ~14VDC, 12VDC ±0,5V recommended
Power consumption	2.0W max.
Vandalism resistant	yes
Bubble	57mm (2.25"), clear polycarbonate plastic
Colour (bubble)	clear
Camera adjustment	3-axis camera adjustment: 360° horizontal rotation / +-45° tilt rotation, 360° pan rotation
Camera fixing	no
Mounting	flush mount, wall mount
Housing	Outdoor
Housing material	Aluminium
Colour (housing)	silver grey
Dimensions (HxWxD)	See drawing
Weight	200g
Certificates	CE

## Optional accessories

7773	VT-PS12DCDT1	PSU 12VDC/1.0A, Regulated, Desktop Version, 1.8m Cables each w. open ends
70495	VT-PS12DC-7	Plugable PSU w. Cont. & UK Mains plug-in 100-240VAC/12VDC-1.25A, Regulated

# VKCD-1321SFM/MF

70535

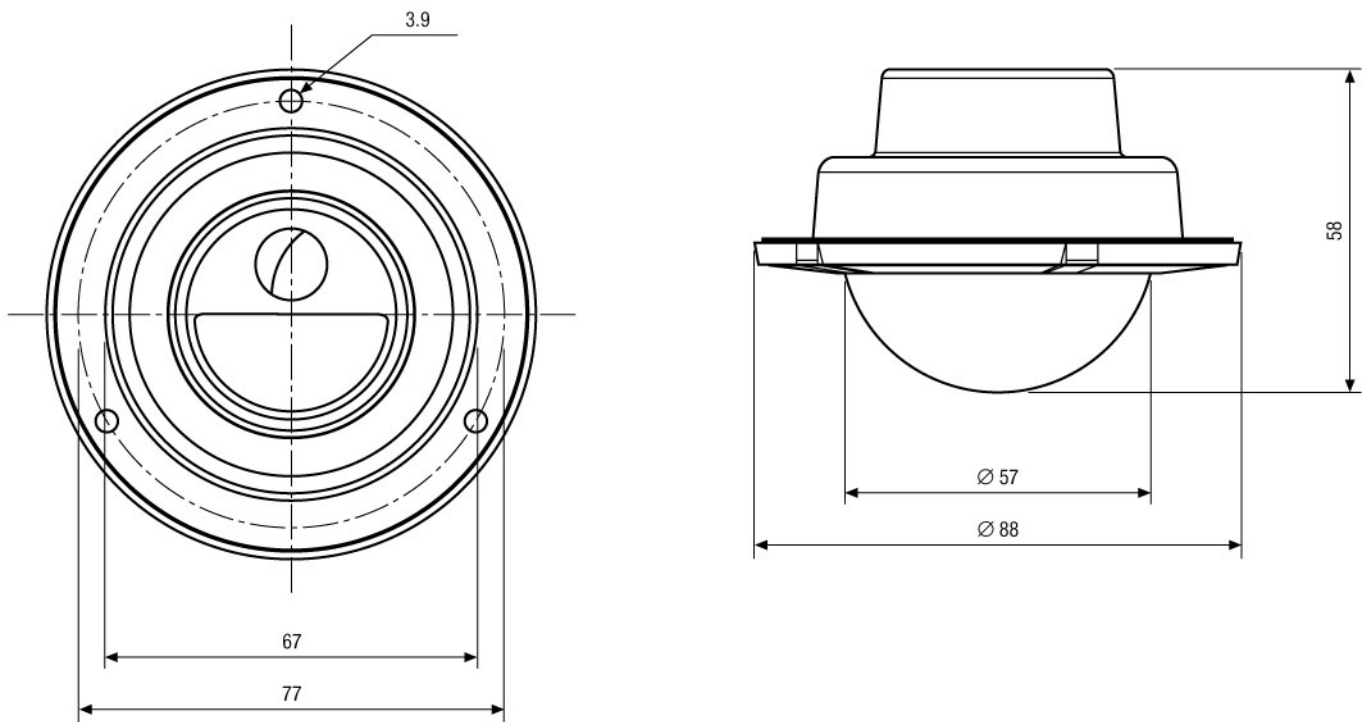
VT-PS12DC-8

Plug-in Power Supply Unit 100-240VAC 12VDC (1.0Amp), Regulated, with DC Plug

# VKCD-1321SFM/MF

Home | Security | Dome Cameras | Fixed

## Technical drawing



Maße/Dimensions: mm

SLD Security & Communications  
The Old Forge, Ockham Lane, Ockham, Surrey GU236PH England  
Phone +44.1483225633 · Fax +44.1483225634  
sales@sld.co.uk · www.sld.co.uk

