

## Board Cameras

1/4" Colour Board Camera with 3,7mm  
Pinhole Lens, 12VDC, 330TVL, 0,57Lux

EDP-No.: 91504

### VKC-142

- Resolution of 330 Horizontal Lines
- CCVS and Y/C Signal Output
- Digital Signal Processing (DSP)
- Back Light Compensation (BLC)
- Electronic Shutter Control (ESC)
- High and LowSpeed Shutter
- Internal Synchronization
- Automatic or Manual White Balance
- Flickerless Mode
- High Sensitivity



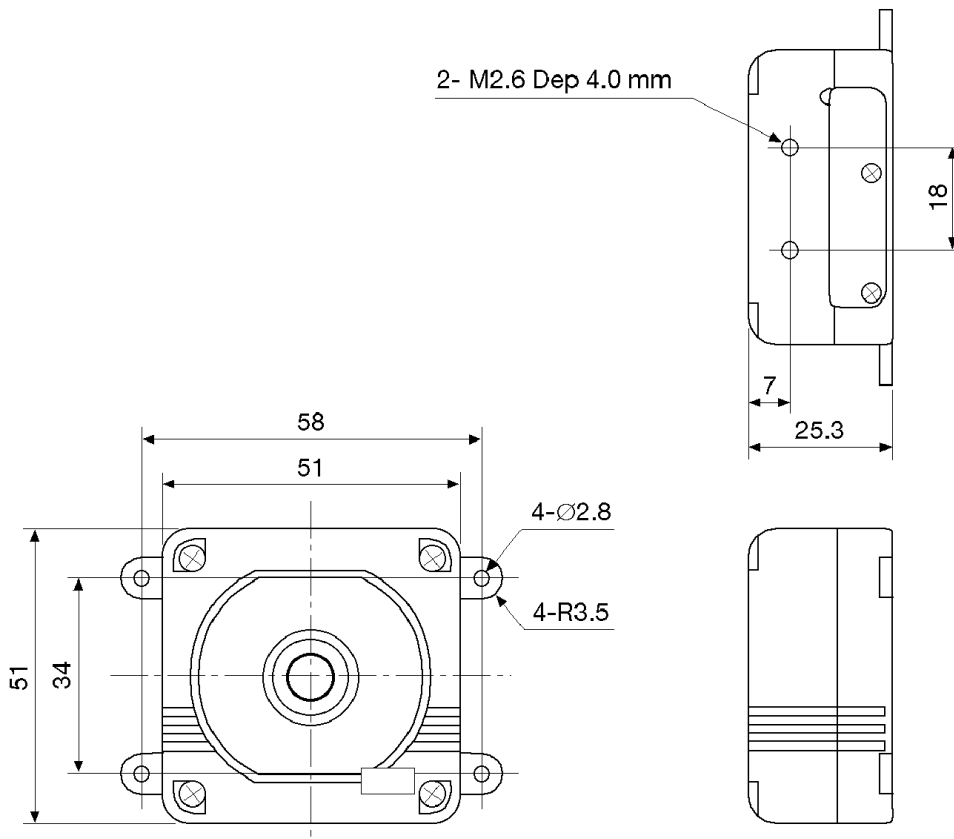
### Specifications:

<b>Imager</b>	1/4" Sony Super HAD Interline Transfer CCD
<b>System</b>	CCIR/PAL
<b>Signal processing</b>	Digital (DSP)
<b>Synchronization</b>	Internal
<b>Sensitivity at 50% video signal</b>	17.4 Lux at F5.0 (VT measurement result)
<b>Horizontal resolution</b>	330 TV lines
<b>Active picture elements</b>	Approx. 290,000, (H) 500 x (V) 582
<b>Electronic shutter (ESC)</b>	1/50 to 1/10,000 sec.
<b>Gamma correction</b>	0.45
<b>Backlight compensation (BLC)</b>	Yes
<b>White balance</b>	Automatic/manual (switchable)
<b>Integrated pinhole lens</b>	F 5.0/3.7 mm
<b>Internal adjustments</b>	Electronic shutter ON/OFF, Manual high speed shutter, Manual low speed shutter (2 to 16 fields), Automatic white balance, Manual white balance (Red/Green), AGC ON/OFF, Flickerless mode ON/OFF, Pos./Neg. Video signal output
<b>Video output</b>	1 Vp-p, CVBS, 75 ohms; Y/C: Y= 1 Vp-p; C= 0.3 Vp-p, 75 ohms

## VKC-142

Supply voltage	12 VDC (+/-10 %)
Power consumption	3 W
Temperature range	-10°C to +40°C
Dimensions (HxWxD)	See drawing
Colour	Light grey
Weight	150 g

Accessories	
EDP No. / Type	Description
70442 VT-PS12DC-3	Power Supply 230VAC/12VDC(500mA), stabilized
77779 VT-PS12DC-UK	Plugable PSU 12VDC-500mA, stabilized with UK mains plug, open DC lead



Maße/Dimensions: mm