

VKC-1361/IR-4.0

Home | Security | Cameras | Plug & Play

VKC-1361/IR-4.0
1/3" Colour/BW Camera, F2.0/4.0mm Lens, 850nm,
IR-LED Illumination, 520TVL

Art-Nr. 92205



SLD Security & Communications

Main Features

Weatherproof CCD Camera with IR Illumination
1/3" Sony SS-HQ1 CCD Sensor
Integrated 4.0mm/F2.0 Lens
Sensitivity of 0.18Lux (F1.2)
Approx. 15m Illumination Range, 850nm LEDs
B&W Display at Night Time and IR LED Illumination

Automatic Shutter Control (ESC)
Automatic White Balance (ATW)
Aluminium Housing with Sunshield
Protection Rating IP67
Supply Voltage: 12VDC
Sunshield and Wall Mount Bracket supplied

Specifications

System	Colour, black/white
Video standard	CCIR/PAL
Signal processing	Digital (DSP)
Sensor size	1/3"
Imager	CCD, Sony Super HAD CCD
Active picture elements	approx. 440,000, 752(H) x 582(V)
Synchronization	Internal
Signal-to-noise ratio	50dB (AGC OFF)
Horizontal resolution	520 TVL
Sensitivity (at 50% video signal)	0,18 Lux, at colour; 0.25Lux at F2.0 (Videor measurement result)
High-speed shutter (ESC)	1/50 ~ 1/100,000sec.
Integration rate	yes
Automatic gain control (AGC)	On/Off switchable
Digital Noise Reduction (DNR)	no
White balance (ATW)	2000 ~8000K, Automatic tracking
Backlight compensation	BLC, Center weighted, On/Off switchable

VKC-1361/IR-4.0

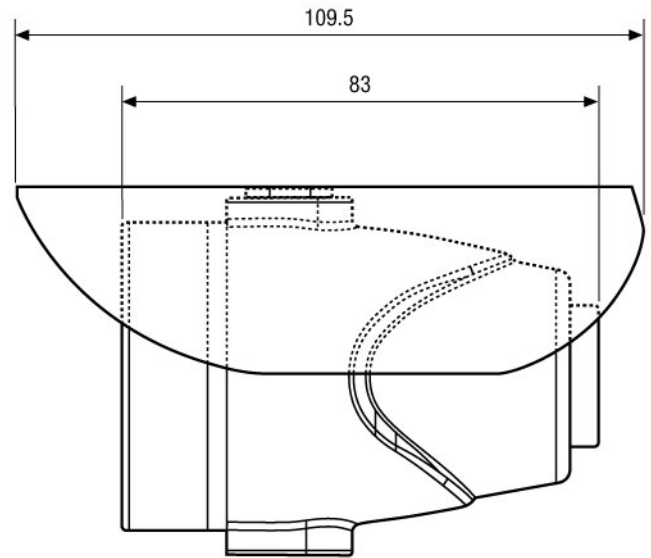
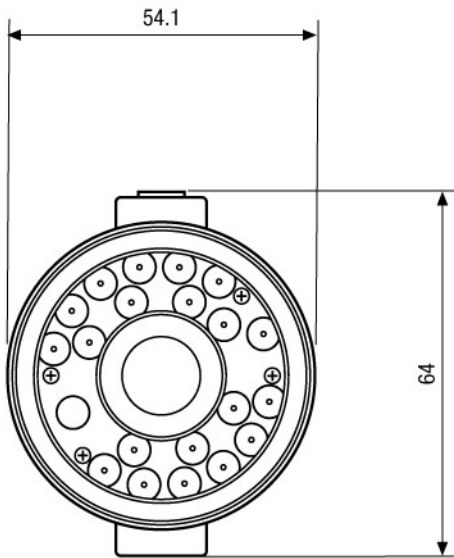
(Continuation Specifications)

Switchable IR cut filter	no
Internal adjustments	AGC, BLC, ON/OFF switchable
Video outputs (type)	CVBS, VBS
Video output	1 Vp-p, (C)VBS, 75 ohms
Integrated lens	F2.0/4.0mm
Lens type	fixed focal length
Lens mount	integrated lens
Aspherical technology	no
Focal length	4 mm
Horizontal angle of view	63°
Iris control	no
Filter screw size	not available, -
MOD (Minimum object distance)	0,1 m
Illumination	20x IR LED's 850nm. Due to an integrated light sensor the LED illumination will be switched ON/OFF, depending on environmental illumination conditions.
Illumination range	15m (at a good light reflexion and 40% Videosignal)
Serial interfaces	no
External connections	Video (BNC), Power input
Mounting	For wall and drop ceiling mount
Protection rating	IP67
Supply voltage	12VDC
Power consumption	4.0watts
Housing material	aluminium
Housing	Outdoor
Integrated wall mount	yes
Hidden cable management	no
Heater/sunshield	No
Sunshield	yes
Window heater	no
Clear Shield	no
Colour (housing)	silver grey
Dimensions (HxWxD)	See drawing
Weight	200g
Parts supplied	Camera, Wall bracket, Manual
Certificates	CE

VKC-1361/IR-4.0

Home | Security | Cameras | Plug & Play

Technical drawing



Maße/Dimensions: mm

SLD Security & Communications
The Old Forge, Ockham Lane, Ockham, Surrey GU236PH England
Phone +44.1483225633 · Fax +44.1483225634
sales@sld.co.uk · www.sld.co.uk

