

# VKC-1359IR/W3P

Home | Security | Cameras | Plug & Play

VKC-1359IR/W3P  
1/3" Pixim Day/Night Camera with LEDs,  
F1.2/3.8-9.5mm, 12VDC/24VAC, 540TVL

Art-Nr. 96090



SLD Security &  
Communications

## Main Features

Weatherproof Camera with Swivel Head Bracket  
Digital Pixel System (DPS)  
Wide Dynamic Range: 102dB, 120dB max.  
Built-in Lens F1.2/3.8-9.5mm with DC Iris Control  
Sensitivity of 1.6 Lux (F1.2 / Colour)  
Removable IR Cut Filter

Digital Noise Reduction (DNR)  
Adjustable Low-Speed Shutter (DSS)  
Automatic White Balance (ATW)  
IR Illumination by 17 integrated 850nm LEDs  
Fully Hidden Cable Routing/Protection Rating: IP67  
Supply Voltage: 12VDC/24VAC

## Specifications

System	day&night
Video standard	PAL/NTSC
Sensor size	1/3"
Imager	DPS (Pixim)
Active picture elements	Approx. 400,000, (H) 720 x (V) 540 (eff.)
Synchronization	Internal/Line-lock
Signal-to-noise ratio	48dB (AGC OFF)
Gamma correction	0.45
Horizontal resolution	540 TVL
Sensitivity (at 50% video signal)	1,4 Lux, at colour, 0.38Lux (B&W). Videor measurement result at F1.2
Integration rate	yes
Low speed shutter (DSS)	2 ~32 fps.
Automatic gain control (AGC)	On/Off switchable
Wide dynamic range	On/Off switchable
Digital Noise Reduction (DNR)	yes, On/Off switchable
Flickerless function	On/Off switchable

# VKC-1359IR/W3P

(Continuation Specifications)

<b>White balance (ATW)</b>	2000K ~8000K
<b>White balance</b>	Automatic and manual (ATW/AWB)
<b>Backlight compensation</b>	BLC, WDR, 4 presets: low/middle/high/custom (user adjustment) / BLC: Center area / upper 1/3, middle 1/3, lower 1/3
<b>Aperture Correction (APC)</b>	Horizontal and vertical
<b>Switchable IR cut filter</b>	yes
<b>IR cut filter</b>	Motorized, switchable filter. Automatic function depend on the amount of light. In removed filter position, the colour signal will be switched OFF
<b>Video outputs (type)</b>	CVBS, VBS
<b>Video output</b>	1 Vp-p, (C)VBS, 75ohms, BNC
<b>Lens type</b>	varifocal
<b>Lens</b>	F1.2/F2.0~360 / 3.8~9.5mm with galvanometer controlled iris
<b>Lens mount</b>	integrated lens
<b>Aspherical technology</b>	yes
<b>Focal length</b>	3,8 mm - 9,5 mm
<b>Horizontal angle of view</b>	30° - 74,2°
<b>Iris control</b>	DC
<b>Focus range</b>	0.15m ~?
<b>Filter screw size</b>	not available
<b>MOD (Minimum object distance)</b>	0,15 m
<b>Illumination</b>	17 LEDs 850nm. Integrated light sensor for On/Off switching of the illumination
<b>Illumination range</b>	approx. 35m (at a good light reflexion and 40% Videosignal)
<b>OSD function control</b>	Preset, Exposure, D&N, Picture Control, Lens Select (manual/DC), Mirror function (H+V), Synchronization, Shutter mode
<b>Serial interfaces</b>	no
<b>Cable connection</b>	Video (BNC), Power 12VDC or 24VAC (2-pin terminal)
<b>Kind of mounting</b>	Integrated wall mount with ball joint
<b>Mounting</b>	Wall or Ceiling*)
<b>Protection rating</b>	IP67
<b>Supply voltage</b>	12VDC, 24VAC, (10.5 ~30VDC, 12 ~29VAC)
<b>Power consumption</b>	10.0watts max.
<b>Temperature range (Operation)</b>	-20°C ~+50°C
<b>Housing material</b>	aluminium
<b>Housing</b>	Outdoor
<b>Integrated wall mount</b>	yes
<b>Housing</b>	Aluminium with clear polycarbonate window
<b>Hidden cable management</b>	yes
<b>Sunshield</b>	no
<b>Window heater</b>	no

# VKC-1359IR/W3P

(Continuation Specifications)

Clear Shield	no
Colour (housing)	Pantone 7541
Dimensions (HxWxD)	See drawing
Weight	approx. 1.0kg
Parts supplied	Camera, Manual, "Easy installation" adapter cable, Heat shrink tube
Certificates	CE

## Optional accessories

70527	NE-132/AC24V	Power Supply Unit 230VAC/24VAC (1.0A)
70495	VT-PS12DC-7	Plugable PSU w. Cont. & UK Mains plug-in 100-240VAC/12VDC-1.25A, Regulated
70543	VT-PS12DC-10	Plugable AC/DC Adapter 100-240V/12VDC- 2.5A, stab., Cont. & UK Mains plug-ins
77773	VT-PS12DCDT1	PSU 12VDC/1.0A, Regulated, Desktop Version, 1.8m Cables each w. open ends
88148	W3 INST-KIT1	Installation Kit for W3 Housings with Hidden Junction Boxes

# VKC-1359IR/W3P

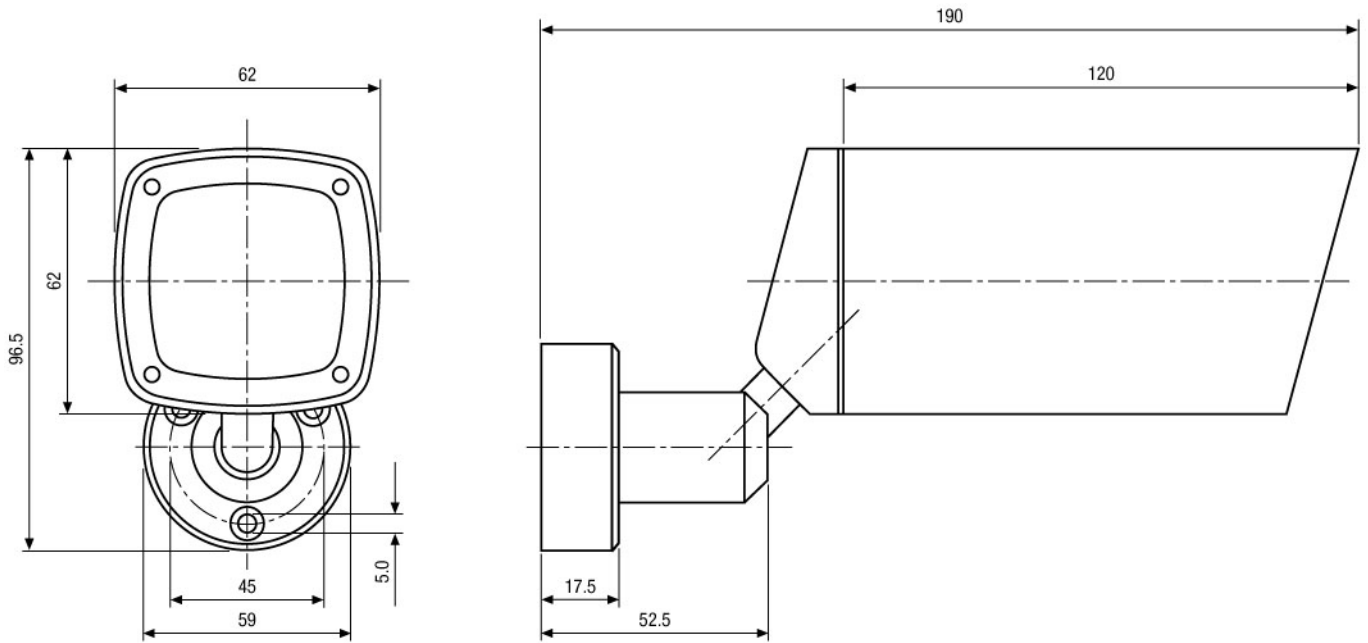
## Product information

\*) For ceiling installation please contact Videor in advance. They will modify the camera before shipping.

# VKC-1359IR/W3P

Home | Security | Cameras | Plug & Play

## Technical drawing



Maße/Dimensions: mm

SLD Security & Communications  
The Old Forge, Ockham Lane, Ockham, Surrey GU236PH England  
Phone +44.1483225633 · Fax +44.1483225634  
sales@sld.co.uk · www.sld.co.uk

