

Video Security



VKC-1327A-IR/W3

1/3" Day/Night Camera w. IR Illumination
F1.2/3.8-9.5mm, 12VDC/24VAC, 540TVL

Art-No. 96086



Features

Weatherproof Camera with Swivel Head Bracket
1/3" Day/Night CCD Camera with Varifocal Lens
Built-in Lens F1.2/3.8-9.5mm with DC Iris Control
Sensitivity of 0.15Lux (AGC Turbo, B&W Operation)
Resolution of 540 Horizontal Lines
Removable IR Cut Filter

Automatic Shutter Control (AES)
Back Light Compensation (BLC)
IR Illumination by 15 integrated 850nm LED`s
Supply Voltage: 12VDC / Fully Hidden Cable Routing
Protection Rating: IP67
Certified according to BGV Kassen

Specifications

Application range	day/night, security
System	day&night
Video standard	CCIR/PAL
Sensor size	1/3"
Imager	CCD, Sony Super HAD Interline Transfer CCD
Active picture elements	approx. 440,000, 752(H) x 582(V)
Synchronization	Internal/Line-lock (automatic detection depend on power source)
Signal-to-noise ratio	48dB
Gamma correction	approx. 0.45
Horizontal resolution	540TVL
Sensitivity (at 50% video signal)	0,5Lux, (0.32Lux), Colour, 0.24Lux (0.15Lux), B&W at F1.2 each (AGC-Turbo). VT measurement result
Automatic shutter control (AES)	1/50 ~ 1/100,000sec.
Integration rate	no
Automatic gain control (AGC)	28dB max. Normal (Turbo +6dB), AGC OFF
Digital Noise Reduction (DNR)	no
White balance (ATW)	2500 ~ 8000K, Automatic tracking

(Specifications continued)

Backlight compensation	BLC, Center weighted (On/Off switchable)
IR cut filter	yes, Motorized, switchable filter. Automatic function depend on the amount of light. Manual switching: see "switching-over, colour/b&w". In removed filter position, the colour signal will be switched OFF
Internal adjustments	8 Dip switches: Internal/Line-lock synchronization, ELC/ALC (manual/motorized Iris), BLC ON/OFF, AGC Normal/Turbo, Flickerless ON/OFF, Sharpness Normal/Sharp, Day/Night mode Enabled/Disabled, IR mode ON/OFF (Iteration reduction between day and night position). 2 Potentiometers: Level for DC controlled iris, V. phase adjustment (220° min. adjustable)
Video outputs (type)	CVBS, VBS
Video outputs	1Vp-p, (C)VBS, 75ohms, BNC
Lens type	varifocal
Lens	F1.2/F2.0 ~ 360/3.8 ~ 9.5mm with galvanometer controlled iris
Lens mount	integrated lens
Mount	n/a
Nominal format size	1/3"
Aspherical technology	yes
Focal length	3,8-9,5mm
Horizontal angle of view	74,2-30°
Iris control	DC
Focus range	0.15m ~ ?
Filter screw size	not available
MOD (Minimum object distance)	0,15m
Illumination	15x LED's. Due to an integrated light sensor the LED illumination will be switched ON/OFF, depending from environmental illumination conditions. Full IR emission amount is guaranteed at >11VDC
Illumination range	15m (at a good light reflexion and 40% Videosignal)
Serial interfaces	no
Cable connection	Wiring for video and voltage supply made, accessible from outside (1.5m long, Video: BNC jack 12/24V input: 2-pin screw terminal)
Kind of mounting	Integrated wall mount with ball joint
Mounting	Wall or Ceiling*)
Protection rating	IP67
Supply voltage	12VDC, 24VAC, (10.5 ~ 30VDC, 12 ~ 29VAC)
Power consumption	approx. 5,0watts
Temperature range (Operation)	-20°C ~ +50°C
Housing material	aluminium
Housing	outdoor housing, Aluminium with clear polycarbonate window
Integrated wall mount	yes
Hidden cable management	yes
Sunshield	no

VKC-1327A-IR/W3

(Specifications continued)

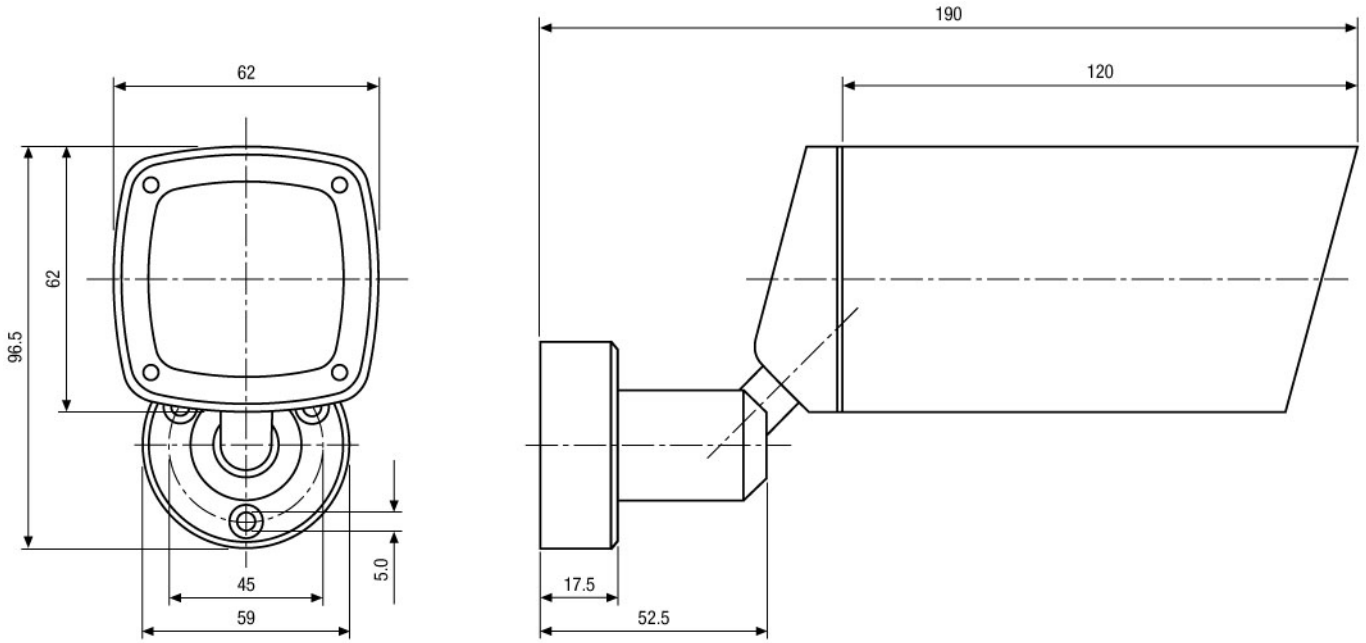
Window heater	no
Hidden Cable Management Support	Supplied
Clear Shield	no
Colour (housing)	Pantone 7541
Weight	approx. 680g
Parts supplied	Camera, Manual, "Easy installation" adapter cable, Heat shrink tube
Certificates	BGV Kassen

Accessories

70543 / VT-PS12DC-10	Plugable AC/DC Adapter 100-240V/12VDC- 2.5A, stab., Cont. & UK Mains plug-ins
77773 / VT-PS12DCDT1	PSU 12VDC/1.0A, Regulated, Desktop Version, 1.8m Cables each w. open ends
88148 / W3 INST-KIT1	Installation Kit for W3 Housings: Mount Adapter, Decoration Plate, Screw Set

Product Information

*) For ceiling installation please contact Videor in advance. They will modify the camera before shipping.



Maße/Dimensions: mm

SLD Security & Communications
 The Old Forge, Ockham Lane, Ockham, Surrey GU236PH England
 Phone +44.1483225633 · Fax +44.1483225634
 sales@sld.co.uk · www.sld.co.uk

