

Special Cameras

1/3" Colour/IR Camera,
DSP, 12VDC/24VAC, 480TVL, 0,18Lux

EDP-No.: 91892

VKC-1319IR12-24

- IR Sensitive Colour Camera
- Horizontal Resolution of 480 TV Lines
- Sensitivity of 0.42Lux (at B&W)
- Digital Signal Processing (DSP)
- Switchable IR Cut Filter
- Automatic Gain Control (AGC)
- Manual or Automatic Shutter Control (MES/AES)
- Backlight Compensation (BLC)
- Auto Iris and DC Iris Control
- C/CS Mount
- Supply Voltage: 12VDC/24VAC



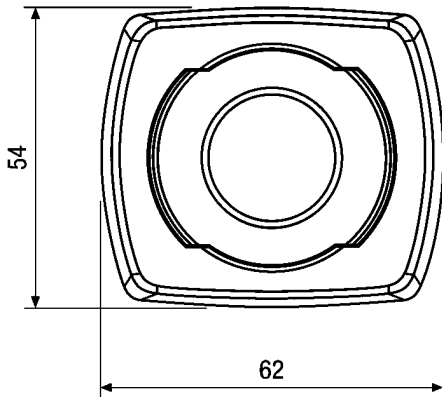
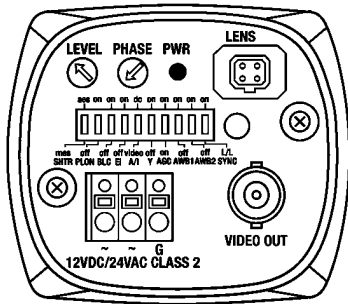
Specifications:

| | |
|--|---|
| Imager | 1/3" Sony ExView HAD Interline Transfer CCD |
| System | CCIR/PAL |
| Synchronization | Line lock or internal |
| Genlock synchronization | - |
| Sensitivity at 50% video signal | 0.42Lux at F1.2 (at b&w and according to the VT measurement result) |
| Horizontal resolution | 480 TV lines |
| Active picture elements | Approx. 440,000, 752(H) x 582(V) |
| Automatic shutter control (AES) | 1/50 to 1/100.000Sec. |
| Manual electronic shutter (MES) | 1/50 to 1/10.000Sec. |
| Gamma correction | 0.45 |
| Automatic gain control (AGC) | ON/OFF switchable |
| White balance (ATW) | ON/OFF switchable (2 modes: Quick and Automatic) 2,800 to 8000K |
| IR cut filter | Motorized, switchable filter. Automatic function depend on the amount of light. Automatic/manual selectable by DIP switch. In removed filter position, the colour signal will be switched off |
| Flickerless function | ON/OFF switchable |

VKC-1319IR12-24

| | |
|-------------------------------------|---|
| Signal-to-noise ratio | 50db (AGC OFF) |
| Aperture Correction (APC) | Horizontal and vertical |
| Backlight compensation (BLC) | ON/OFF switchable |
| Lens mount | C/CS (with C mount adapter) |
| Usable iris controls | Manual iris, Auto-Iris/DC control |
| External adjustments | 8 DIP switches for: AGC, BLC, Shutter, Flickerless, White balance ON/OFF; Colour/B&W, Internal/Line-lock synchronization, AI/DC iris control; Level for DC voltage controlled iris; V. Phase; Colour/B&W level (Hi/Low); Flange back |
| Video output | 1Vp-p, CVBS, 75ohms |
| External connections | Video (BNC), Auto/DC Iris (4-pin), Power input (3-pin) |
| Supply voltage (+/-10%) | 12VDC, 24VAC 50/60Hz |
| Camera mount | 1/4" - 20 UNC thread on top and bottom |
| Power consumption | Approx. 3watts |
| Temperature range | -10°C to +50°C |
| Dimensions (HxWxD) | See drawing |
| Colour | Body: Pantone 877, Front and back: Pantone 8400C |
| Weight | 280g |
| Parts supplied | 4-pin plug, C mount adapter ring |

| Accessories | |
|-----------------------|--|
| EDP No. / Type | Description |
| 70769 WD-22 | Wall Mount with Ball Joint, 1/4" Camera Fixing Screw |
| 70697 WD-21/RAL9006 | Wall Mount with Ball Joint, 1/4" Camera Fixing Screw, RAL9006 |
| 70442 VT-PS12DC-3 | Power Supply 230VAC/12VDC-500mA stabilized |
| 77779 43237 | |



Maße/Dimensions: mm