

Video Security



VKC-1317/IR

1/3" Colour/B&W Camera, F2.0/6mm Lens,
850nm LED Illumination, 380TVL

Art-No. 91873

SLD Security &
Communications



Features

Weatherproof CCD Colour/B&W Camera

1/3" Super HAD CCD Sensor

Integrated 6.0mm Lens

Resolution of 380 Horizontal Lines

12x of Integrated 850nm IR LED`s

B&W Display at Night Time and IR LED Illumination

Automatic Shutter Control (AES)

Automatic White Balance (AWB)

Internal Synchronization

Supply Voltage: 12VDC

Aluminium Housing with Sunshield

Mounting Stand with Swivel Head

Specifications

System	Colour, black/white
Video standard	CCIR/PAL
Imager	CCD, Sony Super HAD Interline Transfer CCD
Sensor size	1/3"
Active picture elements	approx. 290,000, 500(H) x 582(V)
Signal processing	Digital (DSP)
Synchronization	Internal
Signal-to-noise ratio	50dB (AGC OFF)
Gamma correction	0.45
Sensitivity (at 50% video signal)	0,25Lux, at F1.2 (VT measurement result), 0.7Lux at F2.0; 0Lux at IR illumination.
Horizontal resolution	380TVL
Integration rate	no
Automatic gain control (AGC)	Yes
Backlight compensation	no
Digital Noise Reduction (DNR)	no
Aperture Correction (APC)	Horizontal and vertical
IR cut filter	no

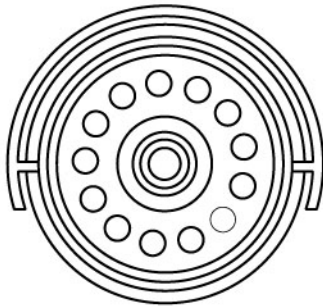
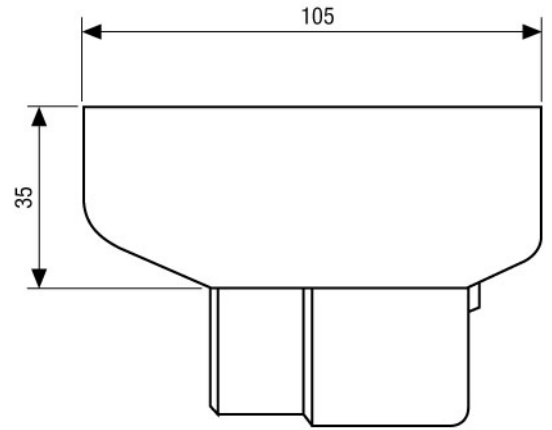
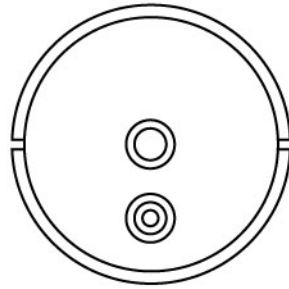
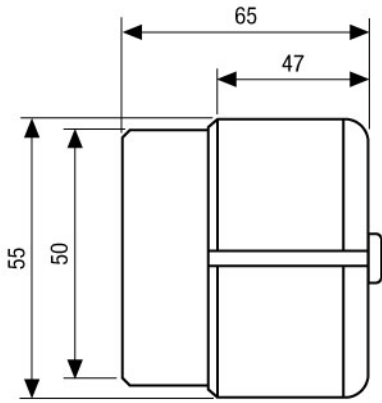
VKC-1317/IR

(Specifications continued)

Day/Night switching	Automatic switch to b&w signal output at totally dark environment conditions
Mount	n/a
Lens	F2.0/6mm (fixed iris)
Application range	day/night, security
Nominal format size	1/3"
Aspherical technology	no
Focal length	6mm
Horizontal angle of view	44°
Iris control	no
Lens mount	integrated lens
Illumination	12x LED's. Due to an integrated light sensor the light intensity will be controlled stepless from min. to max., depending from environmental illumination conditions
Illumination range	Approx. 10m
External connections	Video (BNC), 12 VDC (DC socket)
Video outputs (type)	CVBS, VBS
Video outputs	1Vp-p, (C)VBS, 75ohms, BNC
Serial interfaces	no
Kind of mounting	1/4"-20 thread on rear side
Supply voltage	12VDC
Power consumption	Approx. 2.8watts
Temperature range (Operation)	-10° ~ +50°C
Protection rating	IP67
Housing	Aluminium
Window screen	Coated plastic for outdoor use. Clear window section for the lens
Sunshield	Included
Colour	Silver grey
Dimensions (LxD)	See drawing
Weight	Approx. 310g (incl. stand)

Accessories

70447 / VT-PS12DC-5	Plug-in Power Supply Unit 100-240VAC 12VDC (1.0Amp), Regulated, with DC Plug
77773 / VT-PS12DCDT1	PSU 12VDC/1.0A, Regulated, Desktop Version, 1.8m Cables each w. open ends
70495 / VT-PS12DC-7	Plugable PSU w. Cont. & UK Mains plug-in 100-240VAC/12VDC-1.25A, Regulated



Maße/Dimensions: mm

SLD Security & Communications
The Old Forge, Ockham Lane, Ockham, Surrey GU236PH England
Phone +44.1483225633 · Fax +44.1483225634
sales@sld.co.uk · www.sld.co.uk

