

# Video Security



**VKC-1311S/230V**  
1/3" Colour Camera  
DSP, 230VAC, 480TVL  
**Art-Nr. 91935**



Lens is not included with the camera

## Features

**Horizontal Resolution of 480 TV Lines**  
**High Sensitivity**  
**Digital Signal Processing (DSP)**  
**Automatic Gain Control (AGC)**  
**Linear Shutter Control (ESC)**  
**Automatic Shutter Control (AES)**

**Aperture Control (APC)**  
**Backlight Compensation (BLC)**  
**Internal Synchronization**  
**Auto Iris and DC Iris Control**  
**C/CS Mount**  
**Supply Voltage: 230VAC**

## Specifications

<b>Imager</b>	1/3" Sony Super HAD Interline Transfer CCD
<b>System</b>	CCIR
<b>Synchronization</b>	Internal/Line-lock
<b>Signal processing</b>	DSP
<b>Sensitivity at 50% video signal</b>	1.3Lux at F1.2 (VT measurement result)
<b>Horizontal resolution</b>	480 TV lines
<b>Active picture elements</b>	Approx. 440,000 (H) 752 x (V) 582
<b>Signal-to-noise ratio</b>	50dB (AGC OFF)
<b>Electronic shutter (ESC)</b>	1/50 to 10,000sec.
<b>Gamma correction</b>	0.45 (ON/OFF switchable)
<b>Automatic gain control (AGC)</b>	ON/OFF switchable
<b>Backlight compensation (BLC)</b>	ON/OFF switchable
<b>Camera mount</b>	1/4" - 20 UNC thread on top and bottom
<b>Lens mount</b>	C/CS
<b>Auto-Iris voltage supply</b>	9VDC (40mA max.)
<b>External adjustments</b>	AGC, BLC, ESC, Flickerless, AWB ON/OFF, AI/DC iris control, AES/ESC, Flange focus Level for DC controlled lenses, V-phase adjustment

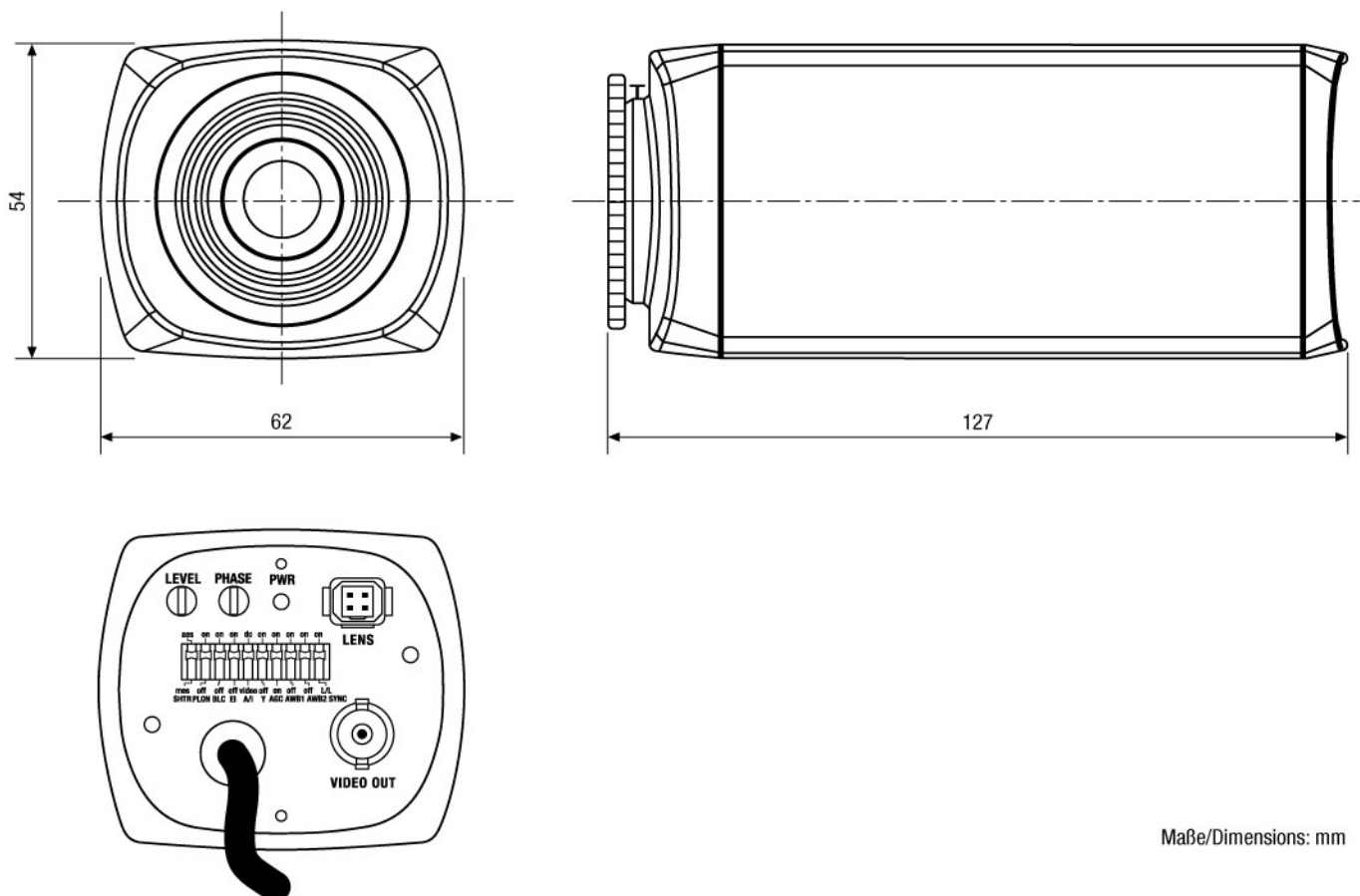
## VKC-1311S/230V

(Specifications continued)

<b>External connections</b>	Video (BNC), Auto-Iris/DC iris (4-pin), Power cord
<b>Usable iris controls</b>	Manual iris, Auto-Iris/DC-Iris control
<b>Supply voltage</b>	230VAC (+/-10%), 50Hz
<b>Power consumption</b>	7watts
<b>Temperature range</b>	-10°C to +50°C
<b>Dimensions (HxWxD)</b>	See drawing
<b>Colour</b>	Body: Pantone 877, Front and back: Pantone 8400C
<b>Weight</b>	600g

## Accessories

<b>70771 / WD-23</b>	Wall Mount with Ball Joint,
<b>70769 / WD-22</b>	Wall Mount with Ball Joint,
<b>70688 / WD-18</b>	Wall Mount with Ball Joint,
<b>91953 / VKC-1310S/D</b>	Dummy camera (VKC-1310S Series)



Maße/Dimensions: mm