

Video Security



VK-1322/SMD

1/3" B/W Camera with 3.7mm Lens in Smoke Detector Housing, 12VDC, 600TVL

Art-No. 91988



Features

For Wall and Drop Ceiling Mount
Resolution of 600 Horizontal Lines
Built-in Pinhole Lens F2.0/3.7mm
Electronic Shutter Control (ESC)

Automatic Gain Control (AGC)
Internal Synchronization
Supply Voltage: 12VDC
Easy Installation

Specifications

Imager	1/3" Sony Super HAD Interline Transfer CCD
Picture elements	Approx. 440,000 (H) 752 x (V) 582
System	CCIR
Synchronization	Internal
Sensitivity	0.65Lux at F2.0 / 0.23Lux at F1.2 (VT measurement result)
Horizontal resolution	600 TV lines
Signal-to-noise ratio	48dB (AGC OFF)
Automatic gain control (AGC)	Supplied
Automatic shutter control (AES)	1/50 ~ 1/100,000Sec.
Gamma correction	0.45
Lens	F2.0/3.7mm Pinhole
Horizontal angle of view	68°
Vertical tilt range	0° ~ 35° (ceiling as reference)
External connections	Video (BNC), 12VDC (DC socket)
Video output	1Vp-p, VBS, 75ohms
Supply voltage	12VDC +/-10%
Power consumption	1.4watts
Temperature range	-10° ~ +50°C
Housing	Plastic

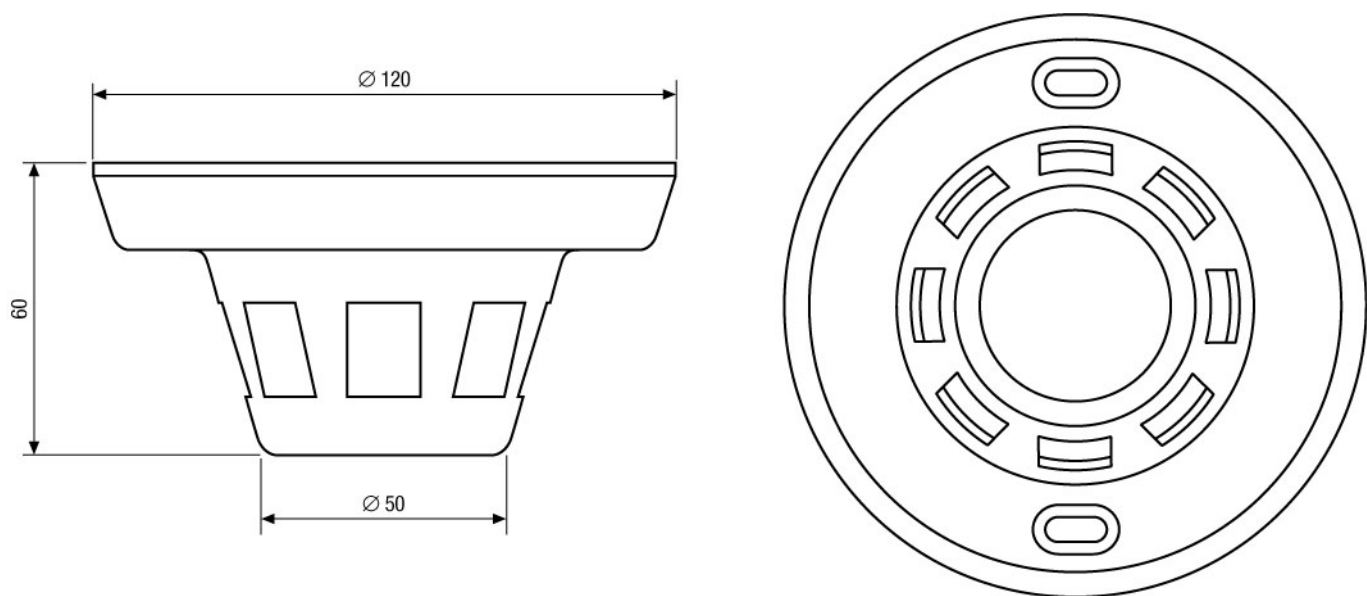
VK-1322/SMD

(Specifications continued)

Mounting	Wall and drop ceiling mount
Colour	Light grey
Dimensions (DxH)	See drawing
Weight	110g

Accessories

77779 / VT-PS12DC-UK	Power Supply Unit w. UK Mains plug-in,
70447 / VT-PS12DC-5	Plug-in Power Supply Unit 100-240VAC
77772 / VT-PS12DCDT	PSU 12VDC/0,5A, Regulated, Desktop



Maße/Dimensions: mm

SLD Security & Communications
The Old Forge, Ockham Lane, Ockham, Surrey GU236PH England
Phone +44.1483225633 · Fax +44.1483225633
sales@sld.co.uk · www.sld.co.uk

