

# Plug & Play Camera Packs

1/3" Candid Junior II B/W Camera

Package, weatherproof, 12VDC, 600TVL

EDP-No.: 96043

## VK-1318/W2

- B&W Board Camera VK-1318 in Weatherproof Housing
- 1/3" CCD Sensor Chip
- Resolution of 600 Horizontal Lines
- Electronic Shutter Control (ESC)
- High Sensitivity
- Integrated Lens: F2.0/4-8 mm
- Supply Voltage: 12 VDC
- Compact Version
- Index of Protection: IP67
- Protected Pan and Tilt Fixing Mechanism



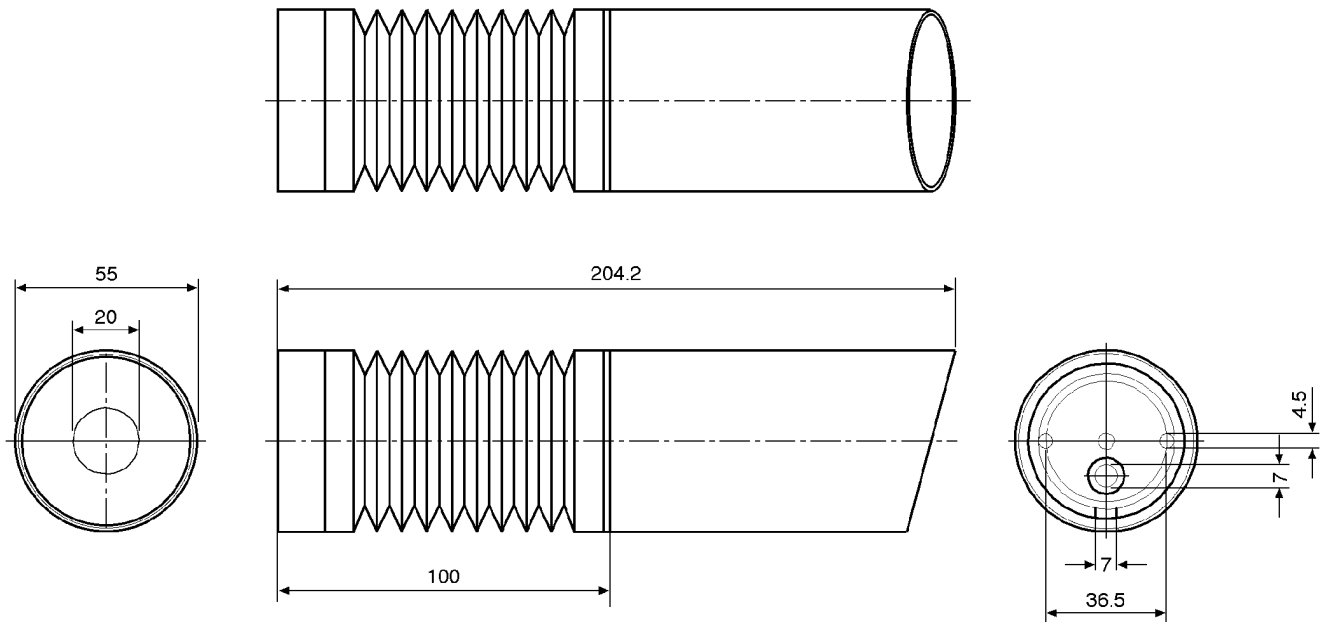
## Specifications:

Imager	1/3" Sony Super HAD Interline Transfer CCD
System	CCIR
Synchronization	Internal
Sensitivity at 50% video signal	2.1 Lux at F 2.0 (VT measurement result)
Horizontal resolution	600 TV lines
Active picture elements	Approx. 440,000 (H) 752 x (V) 582
Electronic shutter (ESC)	1/50 to 1/100,000 sec.
Video output	1 Vp-p, VBS, 75 ohms
Gamma correction	0.45
Integrated lens	F 2.0-2.8/4-8 mm w./o. iris
Aperture Correction	Yes
Heater/sunshield	No
Cable connection	Wiring for video and voltage supply made, accessible from outside
Supply voltage	12 VDC +/-10 %
Power consumption	Approx. 1.5 watts
Housing	Aluminium with glass screen
Colour	Anodized aluminium (CO)
Protection rating	IP 67

# VK-1318/W2

Temperature range	-30°C to +40°C
Dimensions (HxWxD)	See drawing
Weight	480 g

Accessories	
EDP No. / Type	Description
70442 VT-PS12DC-3	Power Supply 230VAC/12VDC(500mA), stabilized
77779 VT-PS12DC-UK	Plugable PSU 12VDC-500mA, stabilized with UK mains plug, open DC lead



Maße/Dimensions: mm