

Video Security



VK-1315S/12V
1/3" B/W Camera
12VDC, 380TVL
Art-Nr. 91927



Lens is not included with the camera

Features

Horizontal Resolution of 380 TV Lines
High Sensitivity
Automatic Gain Control (AGC)
Automatic Shutter Control (AES)
Aperture Control (APC)

Backlight Compensation (BLC)
Internal Synchronization
Auto Iris and DC Iris Control
C/CS Mount
Supply Voltage: 12VDC

Specifications

Imager	1/3" Sony Super HAD Interline Transfer CCD
System	CCIR
Synchronization	Internal
Sensitivity at 50% video signal	0.1Lux at F1.2 (VT measurement result)
Horizontal resolution	380 TV lines
Active picture elements	Approx. 290,000 (H) 500 x (V) 582
Signal-to-noise ratio	46db (AGC OFF)
Automatic shutter control (AES)	1/50 to 100,000sec. (ON/OFF switchable)
Gamma correction	0.45
Automatic gain control (AGC)	ON/OFF switchable
Aperture Correction (APC)	Horizontal and vertical
Video output	1Vp-p, VBS, 75ohms
Backlight compensation (BLC)	Provided
Camera mount	1/4" - 20 UNC thread on top and bottom
Lens mount	C/CS (with adapter)
Auto-Iris voltage supply	9VDC (40mA max.)
External adjustments	Shutter ON/OFF, AGC ON/OFF, AI/DC iris control, Flange focus, Level for DC controlled lenses

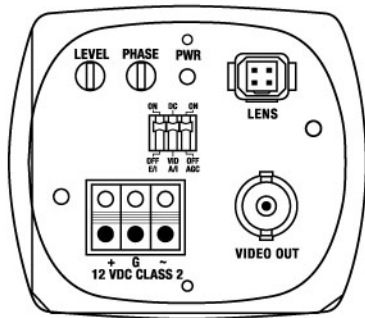
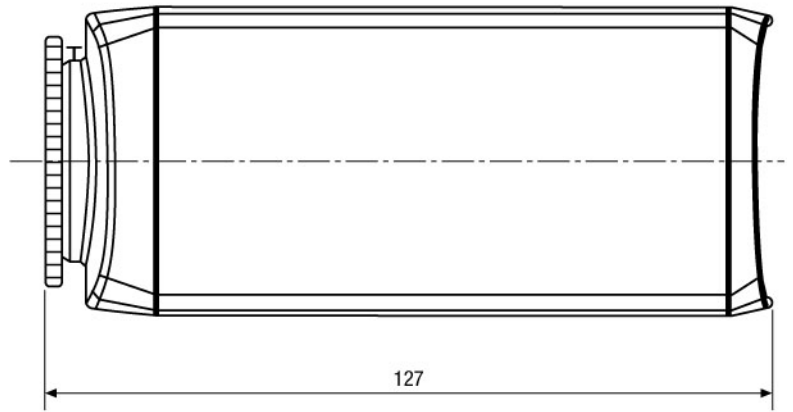
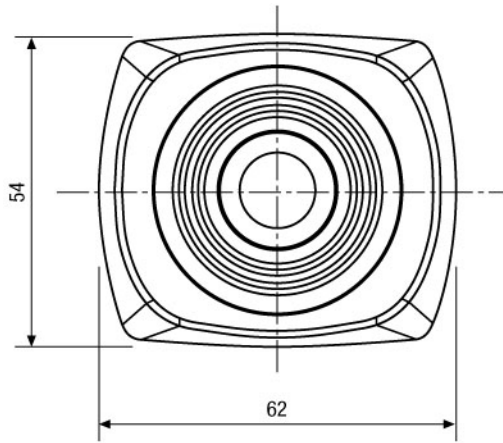
VK-1315S/12V

(Specifications continued)

External connections	Video (BNC), Auto-Iris/DC iris (4-pin), Power input (3-pin)
Usable iris controls	Manual iris, Auto-Iris/DC-Iris control
Supply voltage	12VDC ($\pm 20\%$)
Power consumption	4watts
Temperature range	-10°C to +50°C
Dimensions (HxWxD)	See drawing
Colour	Body: Pantone 877, Front and back: Pantone 8400C
Weight	225g

Accessories

70448 / VT-PS12DC-6	Plug-in Power Supply 100-240VAC/12VDC
79333 / NE-104S	Power Supply 230VAC/12VDC(400mA) for
79334 / NE-105S	Power Supply 230VAC/12VDC (600mA) for
79364 / NE-112	Power Supply 230VAC/12VDC (600mA)
70688 / WD-18	Wall Mount with Ball Joint,
70769 / WD-22	Wall Mount with Ball Joint,
70771 / WD-23	Wall Mount with Ball Joint,
91953 / VKC-1310S/D	Dummy camera (VKC-1310S Series)



Maße/Dimensions: mm