

Plug & Play Camera Packs

1/4" HiRes col.cam./2.8-5.8mm lens

EDP-No.: 96047

TCZ-920P

- Colour Brd. Camera in Weatherproof Housing
- 1/4" CCD Sensor Chip
- Resolution of 460 Horizontal Lines
- Electronic Shutter Control (ESC)
- Back Light Compensation (BLC)
- Automatic White Balance (AWB)
- Automatic Gain Control (AGC)
- Integrated Lens: F2.0/2.8-5.8 mm
- Supply Voltage: 12VDC/24VAC
- Internal/Line-lock Synchronization
- Index of Protection: IP67
- Protected Pan and Tilt Fixing Mechanism



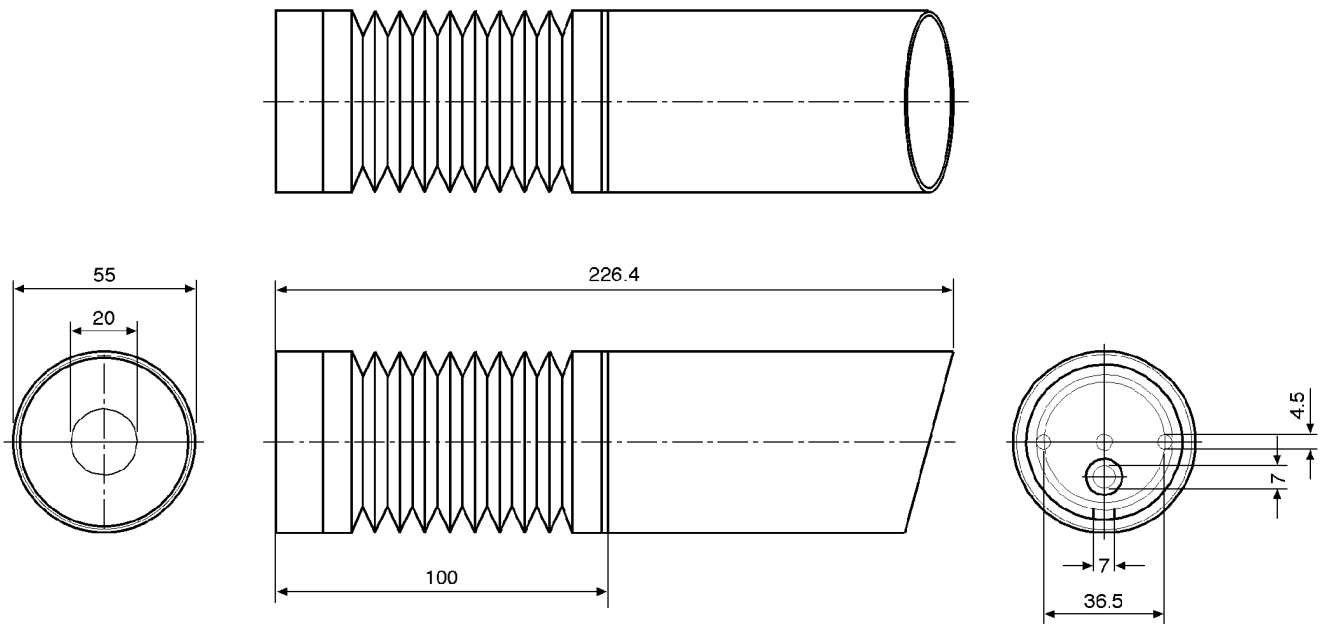
Specifications:

Imager	1/4" Sony Super HAD Interline Transfer CCD
System	CCIR/PAL
Synchronization	Internal/Line lock
Sensitivity at 50% video signal	1.2 Lux at F1.2
Horizontal resolution	460 TV lines
Active picture elements	Approx. 440,000 (H) 752 x (V) 582
Signal-to-noise ratio	48db (AGC OFF)
Electronic shutter (ESC)	1/50 to 1/100,000 sec. (ON/OFF switchable)
Video output	1 Vp-p, CCVS, 75 ohms
White balance	Automatic (ON/OFF switchable)
Gamma correction	Approx. 0.6
Automatic gain control (AGC)	26db (ON/OFF switchable)
Integrated lens	F2.0/2.8-5.8mm
Backlight compensation (BLC)	ON/OFF switchable
Iris control	Auto iris
Heater/sunshield	No
Cable connection	Wiring for video and voltage supply made, accessible from outside
Supply voltage	12VDC/24VAC +/-10%

TCZ-920P

Current consumption	280mA (12VDC); 180mA (24VAC)
Housing	Aluminium with glass screen
Colour	Anodized aluminium (C0)
Protection rating	IP 67
Temperature range	-10°C to +50°C
Dimensions (HxWxD)	See drawing
Weight	Approx. 600 g
Parts supplied	Bag of screws

Accessories	
EDP No. / Type	Description
70442 VT-PS12DC-3	Power Supply 230VAC/12VDC(500mA), stabilized
77779 VT-PS12DC-UK	Plugable PSU 12VDC-500mA, stabilized with UK mains plug, open DC lead



Maße/Dimensions: mm