

Video Security



G04Z03NDDC

F1.2/4.5-12.5mm DC Lens, 1/2" CS Mount,
Variable Focal Length

Art-Nr. 43226



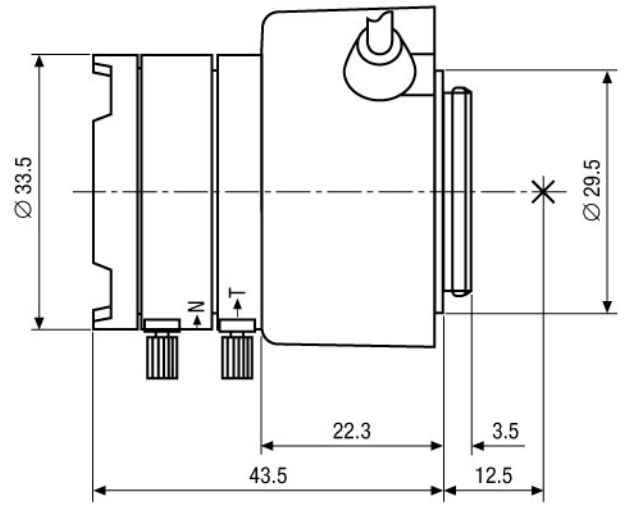
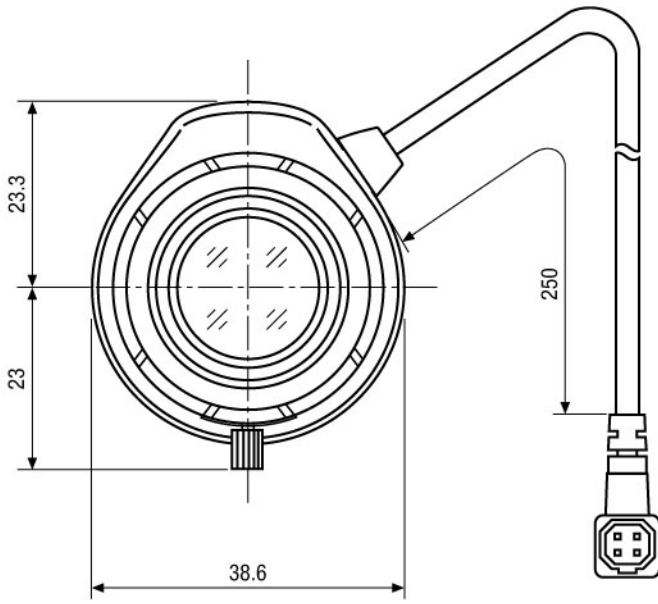
Features

Suitable for 1/2" and 1/3" Colour and B&W Cameras
C Mount
Variable Focal Length

High Standard of Optical and Mechanical Quality
Without Built-in Auto Iris Amplifier
Adjustable Slip-ring Mount for Cable Positioning

Specifications

Focal length (f)	4.5-12.5 mm
Aperture range (F)	F1.6-F260
Iris control system	Galvanometer
Lens mount	CS
Nominal format size	1/2"
Flange focal length	12.5mm
Horizontal angle of view at nominal format size	81.3°-38.2°
Minimum object distance (M.O.D.)	0.3m
Screw-in depth	3.5mm
Filter screw size	-
Slip-ring mount	340°-360° Variable adjustment range
Cable length	Approx. 25cm
4-pin plug	Standard
Temperature range	-20°C to +50°C
Dimensions (LxDxH)	See drawing
Weight	50g
Remarks	Lockable focus and zoom ring



Maße/Dimensions: mm