

DC Controlled Lenses

F1,8/4-10mm DC Lens with IR-Filter,
variable focal Length, 1/2", CS Mount

EDP-No.: 43192

G04Z02NDDC/IRSF

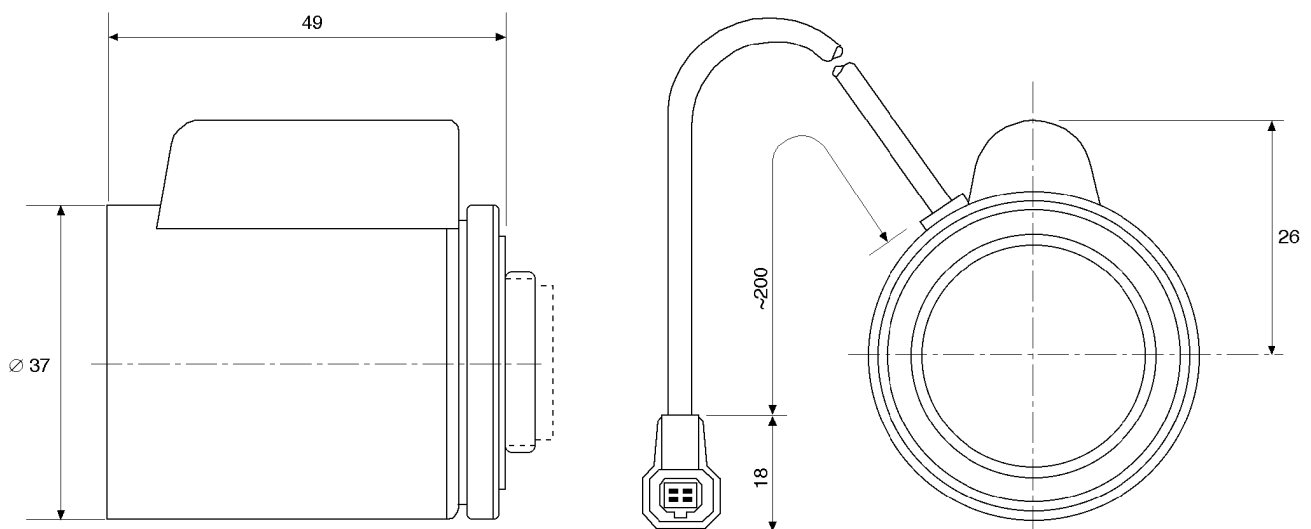
- Suitable for 1/2" and 1/3" Colour and B&W Cameras
- Variable Focal Length
- With Integrated IR Cut Filter
- CS Mount
- High Standard of Optical and Mechanical Quality
- Without Built-in Auto Iris Amplifier
- With 4-pin Connector
- Adjustable Slip-ring Mount for Cable Positioning



Specifications:

Focal length (f)	4-10 mm
Aperture range (F)	F1.8-F125
Lens mount	CS
Nominal format size	1/2"
Flange focal length	12.5 mm
Horizontal angle of view at nominal format size	94.8°-37.3°
Minimum object distance (M.O.D.)	0.3 m
Screw-in depth	4.5 mm
Filter screw size	-
Cable length	Approx. 20 cm
Slip-ring mount	340°-360° Variable adjustment range
Iris control system	Galvanometer
4-pin plug	Standard
Temperature range	-20°C to +50°C
Dimensions (LxDxH)	49x37x26 mm
Weight	90 g
Special feature	Built-in IR cut filter

Article is accessory to	
EDP No. / Type	Description
91779 VKC-122/IR	1/2" Colour/IR Camera, DSP, 230VAC, 480TVL, 0,21Lux
91786 VKC-122/IR12-24	1/2" Colour/IR Camera, DSP, 12VDC/24VAC, 0,21Lux
91808 VKC-138/IR	1/3" Colour/IR Camera, DSP, 230VAC, 480TVL, 0,18Lux
91809 VKC-138/IR12-24	1/3" Colour/IR Camera, DSP, 12VDC/24VAC, 480TVL, 0,18Lux



Maße/Dimensions: mm