

F05Z10NDDC

Home | Security | Lenses | Varifocal

F05Z10NDDC
F1.4/5-50mm Aspherical DC Lens, 1/3" CS Mount,

Variable Focal Length

Art-Nr. 43196



Main Features

Suitable for 1/3" and 1/4" colour and b&w cameras
Variable focal length
Aspherical lens elements
CS mount

High standard of optical and mechanical quality
Without built-in auto iris amplifier
With 4 pin connector
Adjustable slip-ring mount for cable positioning

Specifications

Lens type	varifocal
Day/Night	no
Megapixel	no
Aspherical technology	yes
Nominal format size	1/3"
Flange focal length	12.5mm
Mount	CS
Focal length	5 mm - 50 mm
Horizontal angle of view	53,6° - 5,6°
MOD (Minimum object distance)	1,0 m
Aperture range (F)	F1.4~F260
Iris control	DC
Screw-in depth	4.0mm
Filter screw size	not available
Cable length	approx. 20cm

F05Z10NDDC

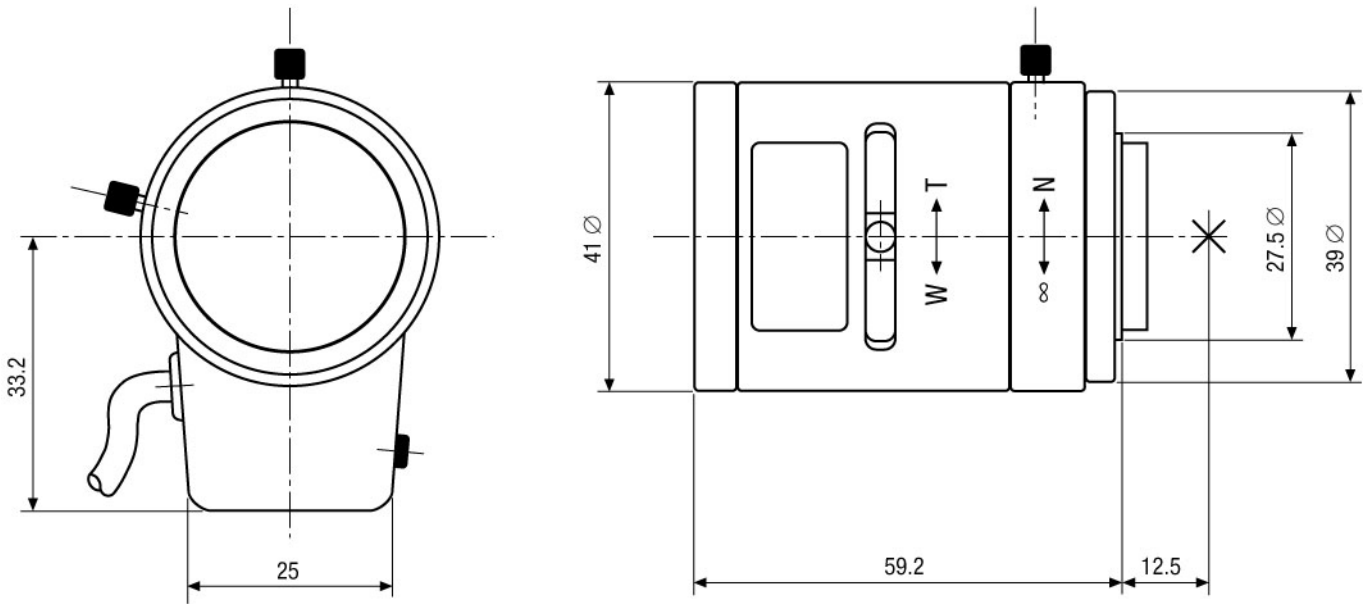
(Continuation Spezifications)

4-pin plug	Standard
Temperature range (operation)	-20°C ~+60°C
Length	59,2 mm
Diameter	41 mm
Radius	33,2 mm
Weight	97g

F05Z10NDDC

Home | Security | Lenses | Varifocal

Technical drawing



Maße/Dimensions: mm

SLD Security & Communications
The Old Forge, Ockham Lane, Ockham, Surrey GU236PH England
Phone +44.1483225633 · Fax +44.1483225634
sales@sld.co.uk · www.sld.co.uk

