

CG-831PA1V

Home | Security | Cameras | Boxed

CG-831PA1V
1/3" Colour Camera with DSP, AGC, APC BLC, ESC,
AWB, 12VDC/24VAC, 540TVL

Art-Nr. 92511



The Fujitsu logo, consisting of the word "FUJITSU" in a bold, red, sans-serif font, with a stylized infinity symbol above the letter 'J'.

Lens is not included with the camera

Main Features

Resolution of 540 Horizontal Lines
Automatic Gain Control (AGC)
High Sensitivity of 0.04Lux (at F1.2)
Back Light Compensation (BLC)
Electronic Shutter Control (ESC)
Automatic AI/DC Control Selection (Depend on Lens)

Horizontal and Vertical Aperture Correction (APC)
Integrated Eclipse and Flickerless Function
Automatic White Balance with Hold Function (AWB)
Auto Blemish Compensation (up to 32 Pixels)
Adjustable Video Transmission Distance
Supply Voltage: 12VDC/24VAC

Specifications

Video standard	CCIR/PAL
System	Colour
Sensor size	1/3"
Imager	CCD, Sony Super HAD Interline Transfer CCD
Active picture elements	Approx. 440,000, (H) 752 x (V) 582
Signal processing	Digital (DSP)
Synchronization	Internal/AC line lock
Signal-to-noise ratio	48dB (AGC OFF)
Gamma correction	0.6/1.0
Horizontal resolution	540 TVL
Sensitivity (at 50% video signal)	0,4 Lux, at F1.2 (VT measurement result)
Light control range (ESC + AGC)	30,000:1
Light control range (AI + AGC)	600,000:1 (Iris range F1.4 ~F300)
Auto exposure	Automatic/Manual/flimmerfree/AGC
Electronic shutter control (ESC)	2.000:1 (On/Off switchable)

CG-831PA1V

(Continuation Specifications)

Integration rate	no
Digital Noise Reduction (DNR)	no
Signal amplification	3 steps (for transmission distance short, middle, long)
Automatic gain control (AGC)	Normal, High and ON/OFF switchable
Backlight compensation	BLC, eclipser, ON/OFF switchable
White balance (AWB)	Auto/Hold
Blemish compensation	Automatic blemish detection and compensation (for up to 32 pixels)
Aperture Correction (APC)	Horizontal and vertical
Flickerless function	120sec., ON/OFF switchable
Eclipser function	On/Off, Threshold, Eclipse and Grey level
IR cut filter	yes, Fixed
OSD function control	OSD camera setup: Pixel correction, Eclipser, BLC, AWB, Chroma, ESC, AGC, Flickerless, Aperture, Masking (Window blanking), Transmission distance compensation
Lens mount	CS
Usable iris controls	Manual iris, Auto-Iris/DC controlled
Auto-Iris voltage supply	9VDC (40mA max.)
External adjustments	Flange focus Switch for setup menu
Video outputs (type)	CVBS
Video outputs	1Vp-p, CVBS, 75ohms, BNC
External connections	DC Iris control (4-pin), Video (BNC), Power input
Serial interfaces	no
Camera mount	1/4" - 20 UNC thread on top and bottom
Supply voltage	12VDC, 24VAC, (+/-15%) 50Hz
Power consumption	approx. 4.8watts (at 12VDC)
Temperature range (Operation)	-10°~+50°C
Dimensions (HxWxD)	See drawing
Weight	200g
Parts supplied	4-pin plug, Allan key, Manual on CD ROM

Optional accessories

70448	VT-PS12DC-6	Plug-in Power Supply Unit 100-240VAC 12VDC (1.0Amp), Regulated, w. open Ends
77773	VT-PS12DCDT1	PSU 12VDC/1.0A, Regulated, Desktop Version, 1.8m Cables each w. open ends
70495	VT-PS12DC-7	Plugable PSU w. Cont. & UK Mains plug-in 100-240VAC/12VDC-1.25A, Regulated
70771	WD-23	Wall Mount Bracket with Ball Joint, 1/4" Camera Fixing Screw, Pantone 877
43106	C/CS RING-AL	Adapter Ring, C/CS Mount, Aluminium anodized

70769

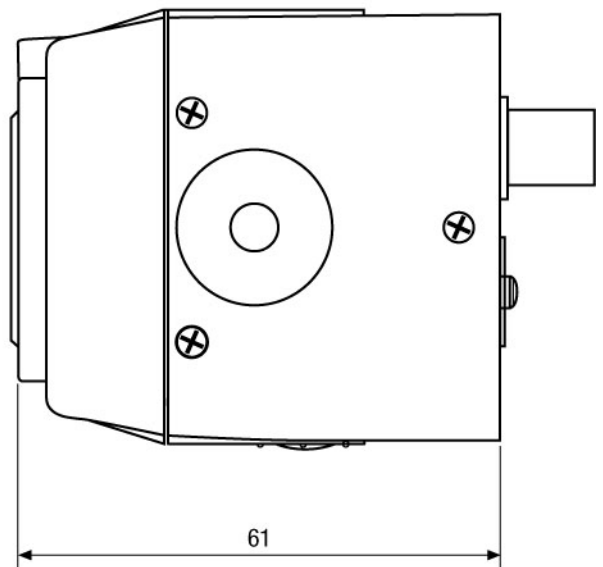
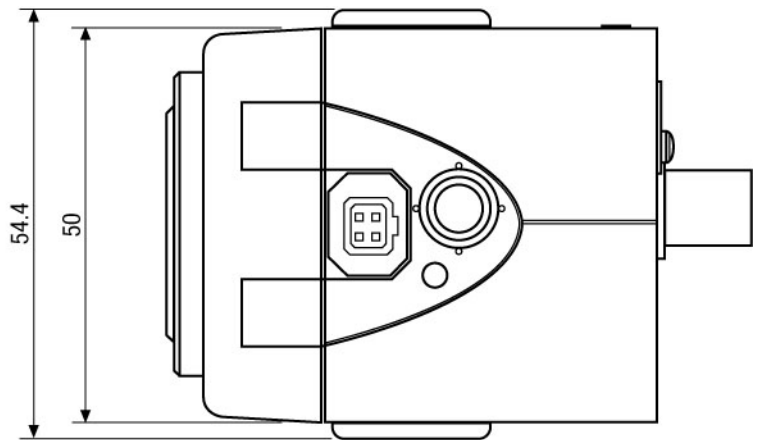
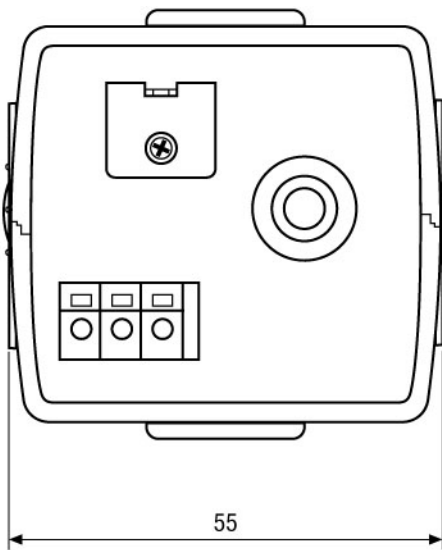
WD-22

Wall Mount Bracket with Ball Joint, 1/4" Camera Fixing Screw, Beige
Grey

CG-831PA1V

Home | Security | Cameras | Boxed

Technical drawing



Maße/Dimensions: mm

SLD Security & Communications
The Old Forge, Ockham Lane, Ockham, Surrey GU236PH England
Phone +44.1483225633 · Fax +44.1483225634
sales@sld.co.uk · www.sld.co.uk

