

WD-9N

Home | Security | Cameras | Accessories

WD-9N

Wall Mount with Ball Joint,

1/4" Camera Fixing Screw, Black Finish

Art-Nr. 70023



Main Features

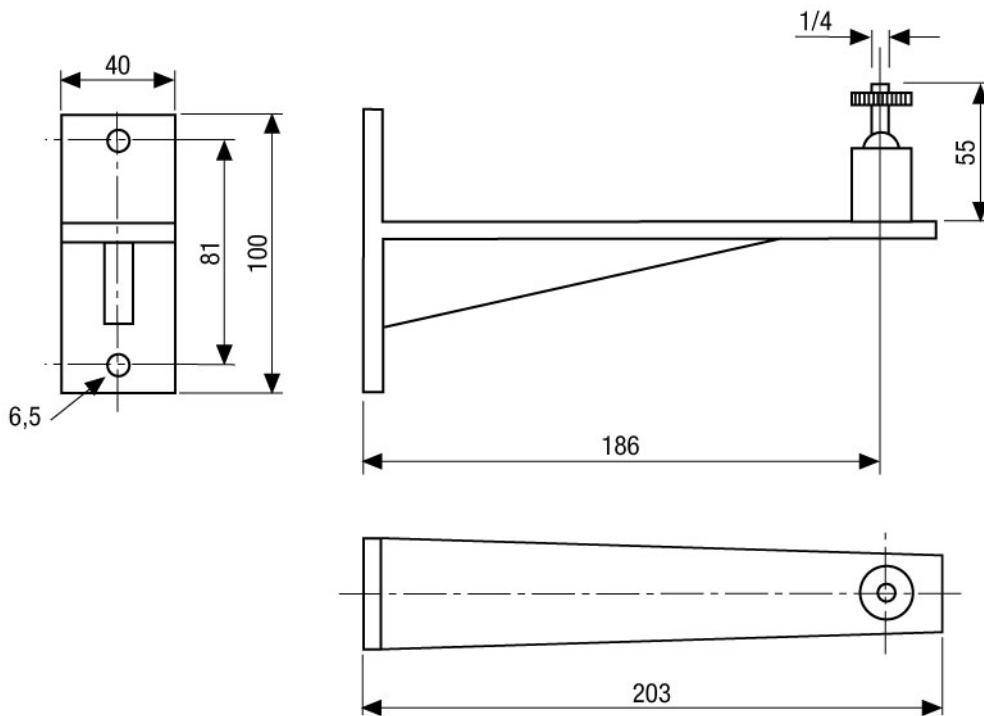
For wall mounting
Rugged Aluminium Construction

Adjustable ball-point head
Ready for installation

Specifications

Colour	black
Weight	260g
Mounting distance from fixing point to wall	203mm
Load capacity	350g
Camera mount	1/4" - 20 UNC thread
Material	Aluminium

Technical drawing



Maße/Dimensions: mm

SLD Security & Communications
The Old Forge, Ockham Lane, Ockham, Surrey GU236PH England
Phone +44.1483225633 · Fax +44.1483225634
sales@sld.co.uk · www.sld.co.uk

