

# VPT-40/41/42 Series

Pan/Tilt Head,  
24VAC

EDP-No.: 73205

## VPT-40/24V

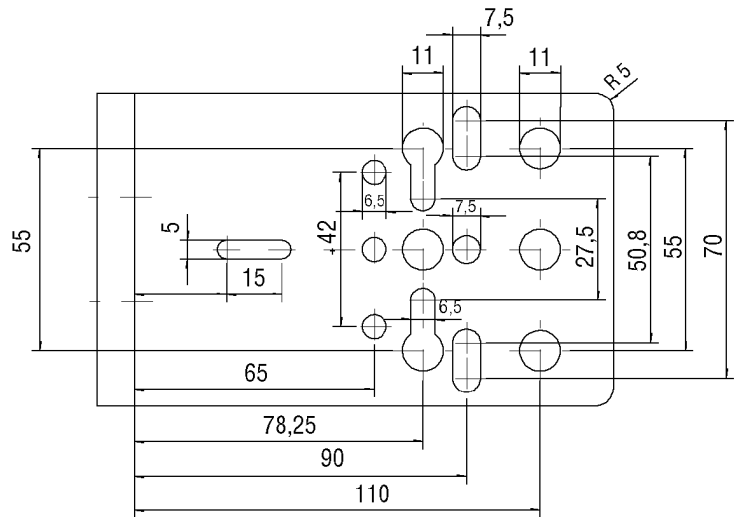
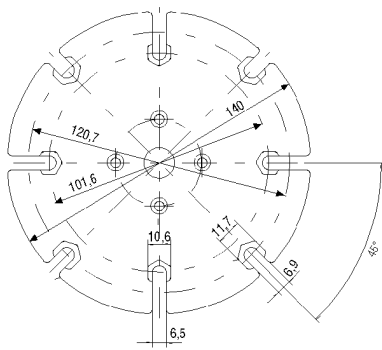
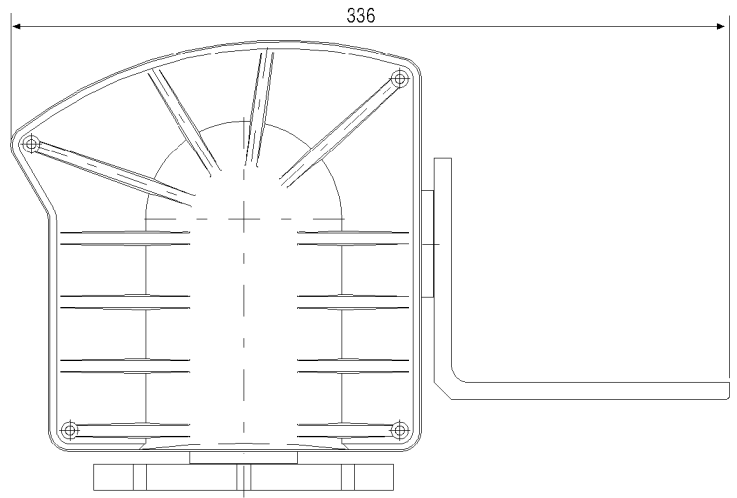
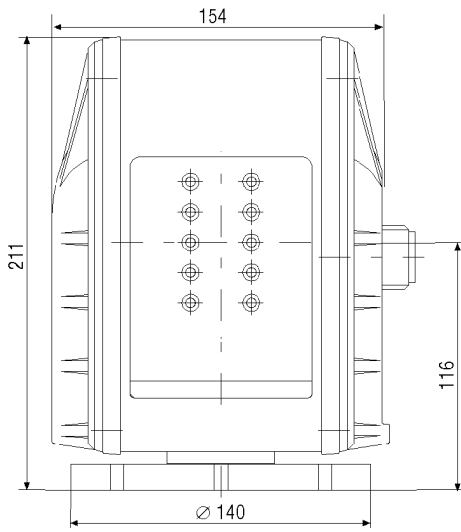
- 20 kg Load Capacity
- Supply Voltage: 24 VAC
- 50/60 Hz Operation
- Backlash: <math><0,2^\circ</math>
- High Torques
- Hardened Gears
- Rugged Housing
- No Maintenance Required
- Protection Rating: IP 66
- Options: Autopan, Heaters



## Specifications:

Load capacity	20 kg
Nominal voltage range	24 VAC (+20% to -10%)
Current consumption/motor (at 50 Hz)	285 mA
Max. torque at nominal speed	16.5 Nm horizontal / 33 Nm vertical (Running torques at 50 Hz)
Speed at nominal voltage	6°/sec. horizontal, 3°/sec. vertical (at 60 Hz: +20%)
Rotation range	360° horizontal, +/-90° vertical
Backlash	<math><0.2^\circ</math>
Limit switch control	Internally adjustable (Micro switchers)
Autopan function	No
Potentiometer on both axes	No
Mounting	Upright or inverted
Plug connection	7-pin socket
Protection rating	IP 66
Temperature range	-20°C to +70°C
Housing	Aluminium frame with plastic covers
Colour	C31 anodized / RAL 7032
Dimensions (HxWxD)	
Weight	6.5 kg
Parts supplied	Screw set, 7-pin connector, Allen wrench key (4 mm)

<b>Accessories</b>	
<b>EDP No. / Type</b>	<b>Description</b>
73225 VPT-40/24VAP-K	Autopan Kit for VPT-40/24VAC
73228 VPT-40/24VHZ-K	Heating Kit for VPT40/24VAC
77488 VPT/IRB-4L	L-Bracket for VPT-40/41/42
77489 VPT/IRB-4T	T-Bracket for VPT-40/41/42
73008 WD-2N	Wall Bracket for Pan/Tilt Heads VPT-40/41/42



Maße/Dimensions: mm