

EDMC-3221

Home | Security | Dome Cameras | PTZ

EDMC-3221

1/4" Dome, PTZ, Day&Night, clear, 22x, 3.9-85.8mm,

WDR, 580TVL, 12VDC/24VAC

Art-Nr. 74225



SLD Security & Communications

Main Features

Vandal resistant PTZ day&night mini dome camera

Zoom lens: F1.6/3.9-85.8mm

Panning angle: 360° continuous rotation

Horizontal speed range: 380°/sec. max.

120 presets / 4 auto scan courses / Autopan

4 tours with 4 presets each / Home position

On-screen menu control and camera ID display

Removable IR cut filter

High and low speed shutter (MES/DSS)

Powerful digital noise reduction (3D/2D DNR)

RS-485 Control Interface

Supply Voltage: 12VDC or 24VAC

Specifications

| | |
|------------------------------------|--|
| Series | eneo Minitrax |
| Video standard | CCIR/PAL |
| System | day&night |
| Sensor size | 1/4" |
| Imager | CCD, Sony ExView HAD Interline Transfer |
| Synchronization | internal, AC line lock |
| Sensitivity (at 50% video signal) | 0,33 Lux, (colour); 0.17Lux (B&W) at F1.2 (measured) |
| Exposure modes | automatic, shutter priority, manual |
| Horizontal resolution | 580 TVL |
| Automatic electronic shutter (ESC) | 1/50 ~ 1/100,000sec. |
| Manual electronic shutter (MES) | 1/50 ~ 1/100,000sec. |
| Low speed shutter | yes, 2 ~50 fps. |
| Digital Noise Reduction (DNR) | yes, 2D & 3D |

EDMC-3221

(Continuation Spezifications)

| | |
|---|---|
| Flickerless function | yes |
| Mirror function | 180° rotation |
| White balance | manual, automatic, indoor, outdoor |
| Backlight compensation | BLC, ON/OFF switchable |
| Wide Dynamic Range (WDR) | yes, 54dB |
| Aperture Correction (APC) | horizontal and vertical |
| IR cut filter | switchable |
| Speed (manual control) | 380 °/Sek. |
| Speed range at manual control (pan) | 0.1° ~380°/sec. (Proportional to zoom) |
| Speed range at manual control (tilt) | 0.1° ~200°/sec. (Proportional to zoom) |
| Preset speed | 380 °/Sek. |
| Rotation range | 360° |
| Tilt range | 180° (Digital Flip) |
| Preset positioning | 120 presets with 12-character labels each, individual camera position |
| Patterns | 4 patterns up to 200sec. total |
| Tours | up to 4 user programmable guard tours |
| Autoscan | 4 User programmable auto scans, 1x Autopan |
| Proportional pan and tilt | continually decreases pan and tilt speeds in proportion to depth of zoom |
| Auto flip function | rotates dome camera's picture by 180° at bottom of tilt travel (Digital Flip) |
| Programmable park position | included (with multiple park actions) |
| Auto calibration | yes |
| Privacy zones masking | 4 zones masking with block or video OFF option |
| Video outputs | composite (CVBS), 1Vp-p (C)VBS, 75ohms, BNC |
| Lens type | zoom |
| Focal length | 3,9 mm - 85,8 mm |
| Horizontal angle of view | 44,6° - 3,2° |
| Digital zoom | 16x |
| Aperture range (F) | F1.6 (3.7) ~F140 |
| Iris control | DC |
| MOD (Minimum object distance) | 1,0 m |
| Alarm outputs | 1 |
| Illumination | no |
| Activity detection | yes |
| Motion detector | in preset mode only |
| Analysis Functions | no |
| Menu languages | German, English, French, Italian, Spanish, Polish, Portugese |
| OSD function control | OSD camera setup |
| Text display | 12 character labels, ON/OFF switchable |
| External adjustments | ID, Baud rate, termination, protocol type |

EDMC-3221

(Continuation Specifications)

| | |
|-------------------------------|--|
| Serial interfaces | RS-485 |
| Serial interfaces protocols | Fastrax IIE, Pelco D, Pelco P |
| Temperature range (operation) | -10°C ~+50°C |
| Heater | no |
| Blower | yes |
| Protection rating | IP66 |
| Supply voltage | 12VDC, 24VAC, (+/-10%) |
| Power consumption | 12W |
| Vandalism resistant | yes |
| Bubble | 4.3" (110mm), Acryl/clear |
| Colour (bubble) | clear |
| Mounting | ceiling mount |
| Housing | outdoor |
| Housing material | aluminium |
| Colour (housing) | Pantone Cool Gray 1C |
| Dimensions (HxWxD) | see drawing |
| Parts supplied | dome camera, mounting plate, bag of screws, plug set, manual |
| Certificates | CE, IK10 |

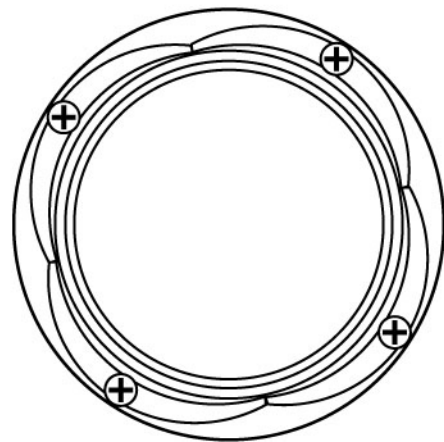
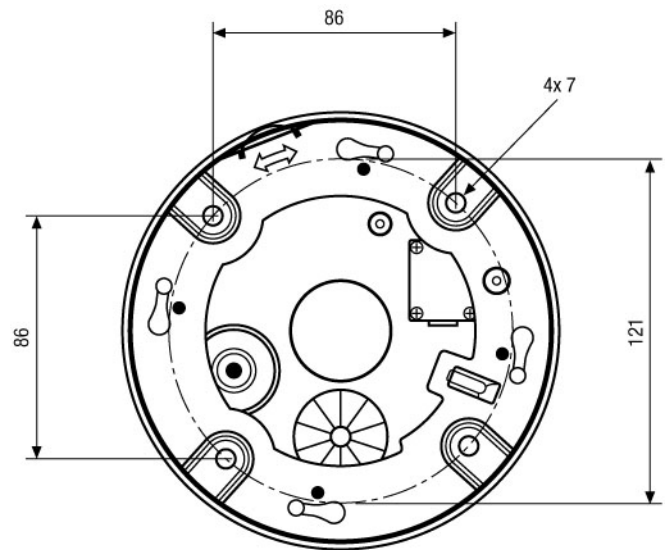
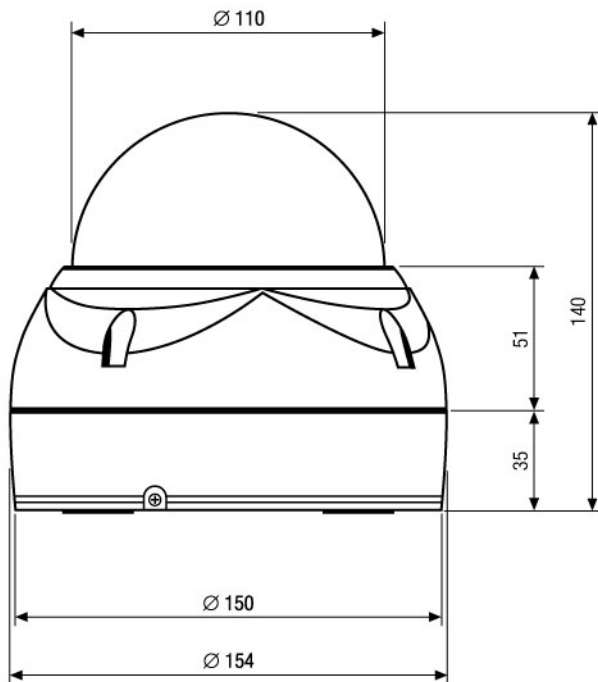
Optional accessories

| | | |
|-------|----------------|---|
| 70449 | NE-128 | Voltage supply unit 230V/24VAC-5A, IP66 |
| 74149 | KBD-2 | System Keyboard with 3-Axis Joystick and Jog Shuttle, 12VDC |
| 74092 | EDC-KBDM-3 | System Keyboard w. Joystick, 5" Monitor 12VDC, Fastrax Protocol |
| 74088 | EDC-KBD1 | System Keyboard with 3-axis Joystick, 12VDC |
| 74155 | EDMC/CWB-1 | Wall or Pendant Mount Kit f. Dome Camera Series EDMC, NTD, NLD, NXD & VKCD-1375 |
| 70527 | NE-132/AC24V | Power Supply Unit 230VAC/24VAC (1.0A) |
| 74746 | KBD-NSC-100 | Network System Controller with 3-Axis Joystick and Jog Shuttle, 5VDC |
| 74124 | FASTRAX_CONFIG | Configuration Software for Eneo Fastrax, Minitrax Dome Cameras and VKC-1416 |
| 74094 | EDC-COAX | Coax Telemetry Board for VPT-501/601, EDC/EDMC Series assembled |
| 74089 | EDC-CR1 | Converter RS-232/RS-485, Repeater RS-485 |

EDMC-3221

Home | Security | Dome Cameras | PTZ

Technical drawing



Maße/Dimensions: mm

SLD Security & Communications
The Old Forge, Ockham Lane, Ockham, Surrey GU236PH England
Phone +44.1483225633 · Fax +44.1483225634
sales@sld.co.uk · www.sld.co.uk

SLD Security &
Communications

