

# Video Security



**EDC-IPS-1/24V**  
 Pendant Mount Indoor Dome Housing  
 Tinted Bubble 6.8", 24VAC  
**Art-Nr. 74075**



## Features

Indoor Housing for Fastrax Dome Cameras  
 For Wall and Ceiling Mount  
 Blower Kit included

**Tinted Bubble 6.8" (172mm)**  
**Protection Rating: IP65**  
**Supply Voltage: 24VAC/50-60Hz**

## Specifications

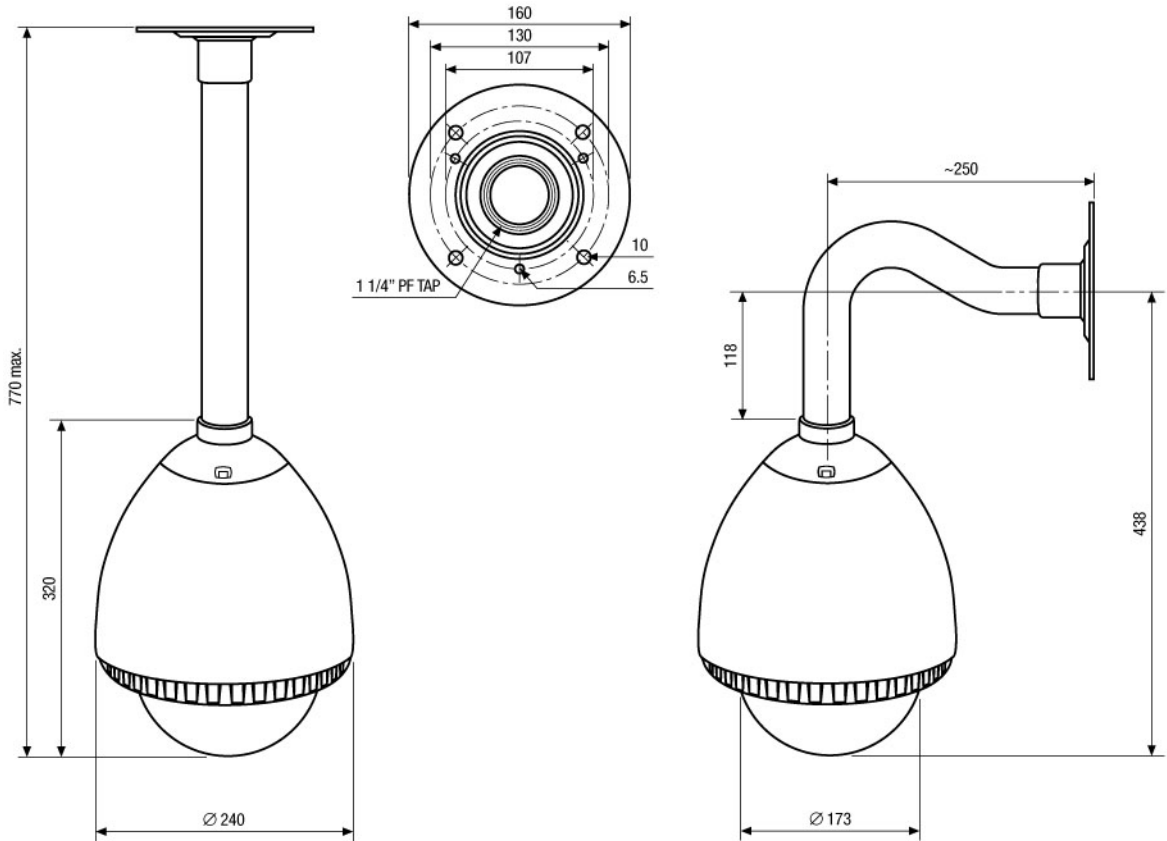
<b>Bubble</b>	172mm (6.8"), tinted acrylic plastic (0.5 f-stop light loss)
<b>Load capacity</b>	Approx. 2.0kg
<b>Connection</b>	1 1/4" PT thread
<b>Supply voltage</b>	24VAC, 50/60Hz
<b>Power consumption</b>	Approx. 30watts (for blower and incl. dome camera)
<b>Temperature range (Operation)</b>	-45°C to +50°C
<b>Protection rating</b>	IP65
<b>Housing</b>	Aluminium, Pipes: Steel, Trimring: Plastic
<b>Colour</b>	Light-grey polyester powder coat
<b>Weight</b>	Approx. 3.5kg

## Accessories

<b>70445 / NE-123</b>	Voltage supply unit 230V/24VAC-2A, IP66
<b>74054 / EDC-CMA2</b>	Corner Mount Adapter for EDC-IPS/OPC

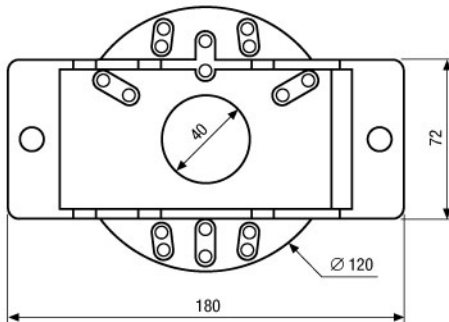
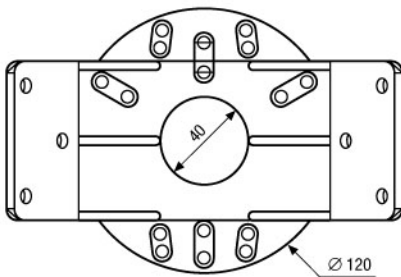
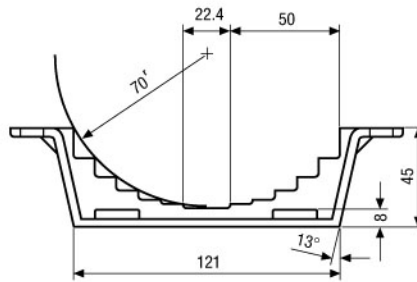
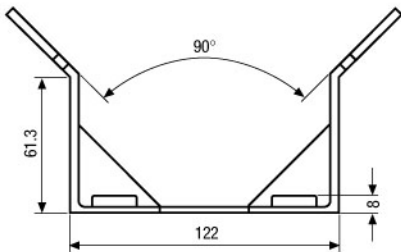
## Accessories of

<b>74081 / EDC-142E</b>	1/4" Colour High Speed Economy Dome
<b>74086 / EDC-141E</b>	1/4" Colour/B&W High Speed Dome Camera
<b>74091 / EDC-143E</b>	1/4" Colour/B&W High Speed Dome Camera



Eckmontagewinkel / Corner Mount Adapter

Mastmontageadapter / Pole Mount Adapter



Maße/Dimensions: mm

SLD Security & Communications  
 The Old Forge, Ockham Lane, Ockham, Surrey GU236PH England  
 Phone +44.1483225633 · Fax +44.1483225634  
 sales@sld.co.uk · www.sld.co.uk

