

Video Security



EDC-IDF

Flush Mount Dome Housing, Smoked Bubble
4.9"

Art-Nr. 74057



Features

In-ceiling Mount Housing for Ceiling Tile assy.
For Dome Cameras of Fastrax Series

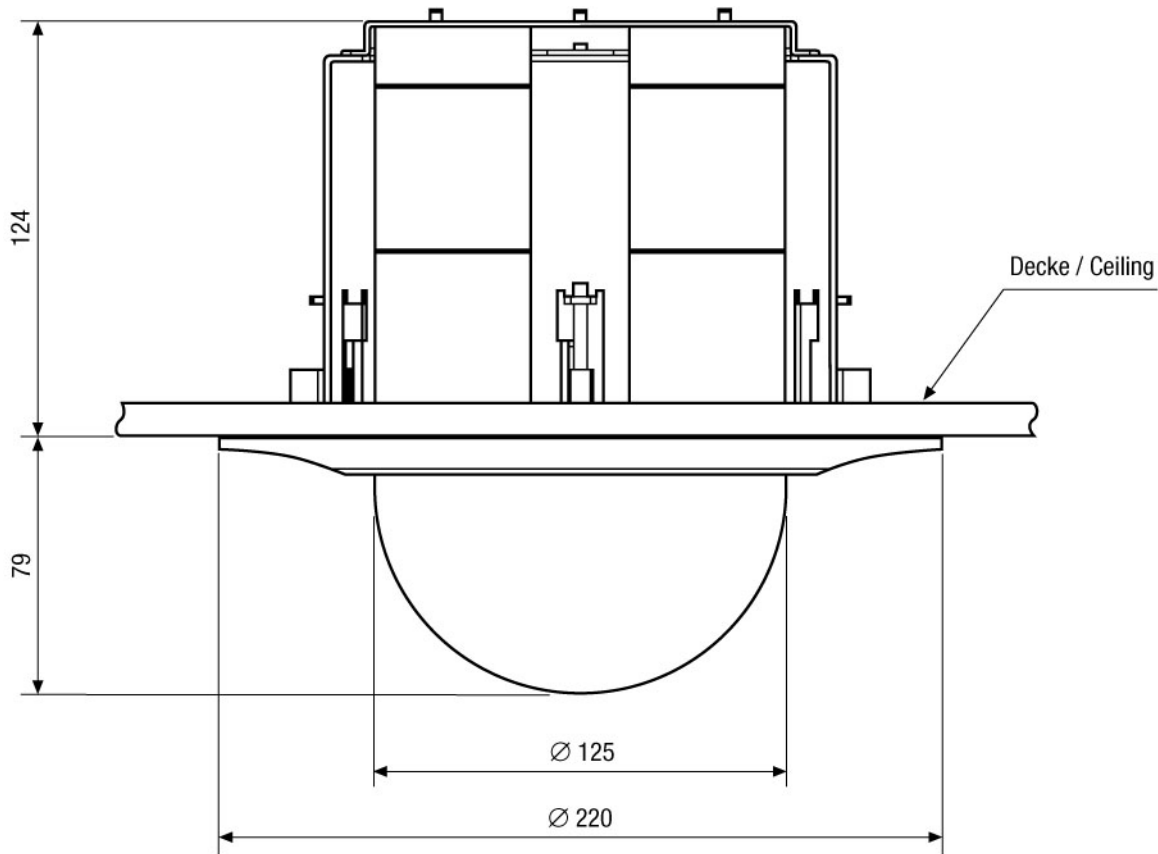
4.9" (125mm) Tinted Bubble

Specifications

Assembling	In-ceiling (suspended ceiling tiles up to 2.4cm thickness)
Load capacity	Approx. 2.0kg
Housing	Steel metal, Trimming: aluminium, Bubble: tinted acrylic plastic
Colour	Black trimming
Weight	Approx. 300g
Parts supplied	Flush mount housing, trimming, 4.9" tinted camera bubble (usable as replacement instead of the original one)

Accessories of

74081 / EDC-142E	1/4" Colour High Speed Economy Dome
74086 / EDC-141E	1/4" Colour/B&W High Speed Dome Camera
74091 / EDC-143E	1/4" Colour/B&W High Speed Dome Camera



Ansicht mit montierter Fastrax Domekamera und 4,9" klarer oder getönter Kamerakuppel /
View with assembled Fastrax dome camera and 4.9" clear or tinted bubble

Maße/Dimensions: mm