

Video Security



EDC-144E

1/4" Colour/B&W High Speed Dome Camera
with 26x Zoom Lens, 24VAC, 470TVL

Art-No. 74100



Features

High Resolution Colour Dome Camera

26x Optical and 12x Digital Zoom (264 Total)

Zoom Lens: F1.6/3.5-91mm

High und Low Speed Shutter

240 Presets

4 Patterns

8 Tours and 8 Autopans with Vector Scan

8 Dynamic Window Blanking (Privacy Zones)

RS-485/RS-422 Interface

8 Alarm Inputs / 4 Outputs

Quick Detachable (Hot Swap)

Supply Voltage: 18 to 30VAC, 50/60Hz

Specifications

Imager

1/4" 758 (H) x 592 (V) pixels (ExView CCD)

Sensitivity

0.35Lux at F1.6 (0.2Lux at F1.2); 0.2Lux at 1/3sec. shutter speed (F1.6); 0.02Lux at 1/3sec. shutter speed (colour) 0.01Lux at 1/3sec. shutter speed (b&w)

Horizontal resolution

480 TV Lines

Adresses

Up to 999 Dome ID's

Speed range at manual control (pan)

0.5° ~ 90°/sec., Turbo: 380°/sec. (Proportional to the zoom position)

Speed range at manual control (tilt)

0.5° ~ 90°/sec. (Proportional to the zoom position)

Preset speed

Up to 380°/sec. pan

Rotation range

360° (endless)

Vertical tilt range

-4° ~ +90°

Preset positioning

240 presets with 16-character labels each. 0.75sec. max. preset recall time

Backlash

0.2°

Patterns

4 patterns: 1x up to 240sec., or 3x up to 240sec. in total

(Specifications continued)

Tours	Up to 8 User programmable guard tours with vector scan. Consisting of 42 presets and other functions with individual dwell time (3 to 99sec.). Selectable fast or slow vector scan
Autoscan	8 User programmable auto scans with selectable fast or slow vector scan, 9 selectable speeds
Proportional pan and tilt	Continually decreases pan and tilt speeds in proportion to depth of zoom
Auto flip function	Rotates dome 180° at bottom of tilt travel
Programmable park position	Included
Window blanking	8 dynamic window blanking zones with user-defined four-sided shapes and up to 16-character labels each
Zones	16 each with programmable text labels
In/outdoor use	Indoor/outdoor camera preferences
IR cut filter	Automatic operation, ON/OFF switchable
Digital signal processing (DSP)	Yes (DSP-3R)
Signal-to-noise ratio	50db
Automatic gain control (AGC)	Automatic (ON/OFF switchable)
Shutter speed (AES/MES)	Automatic/manual: 1/3 ~ 1/10,000sec. (PAL)
Shutter modes	High and Low Speed shutter
Synchronization	Internal/AC line lock, phase adjustment via remote control
White balance	Modes: Manual, Automatic, Indoor, Outdoor, ATW
Video output	1Vp-p, CVBS, 75ohms, BNC
Zoom range	F1.6~F80/3.5 ~ 91mm (26x optical, 12x digital zoom)
Horizontal angle of view	54.2° (Wide); 2.2° (Tele end)
Iris control	Automatic (with manual override)
Focus control	Automatic with manual override
Minimum object distance (MOD)	0.3m
Menu driven set-up	ON/OFF switchable
Text display	16-character labels
Menu languages	English
Alarm processing	Programmable alarm action with selectable priority levels
Alarm inputs	8, selectable between NO and NC
Bubble	4.9" (125mm), clear acrylic plastic
Control interfaces	RS-422/RS-485, 9600Baud, 999 camera ID addresses selectable. Besides the keyboard control via the eneo EDC-KBD(M) series, the control via matrix switchers and keyboards from Pelco (D+P protocol), Ernitec, Philips and Sensormatic* is available. *Back channel via RS-422 is not activated
Keyboard control	Direct mode control with Eneo EDC-KBD(M) keyboard series, or in conjunction with the eneo Triplex Multiplexer series VBMT/VCMT-8000 and DVR series DLR(2) and DXR
Auxiliary outputs	4 relays with NO or NC contact, 24VDC/1A resistive
Remote control	Camera remote settings via keyboard
Operation protection	Available

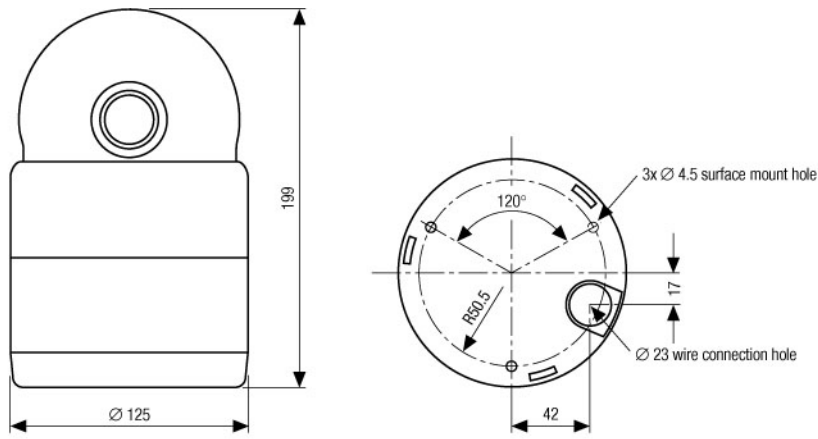
EDC-144E

(Specifications continued)

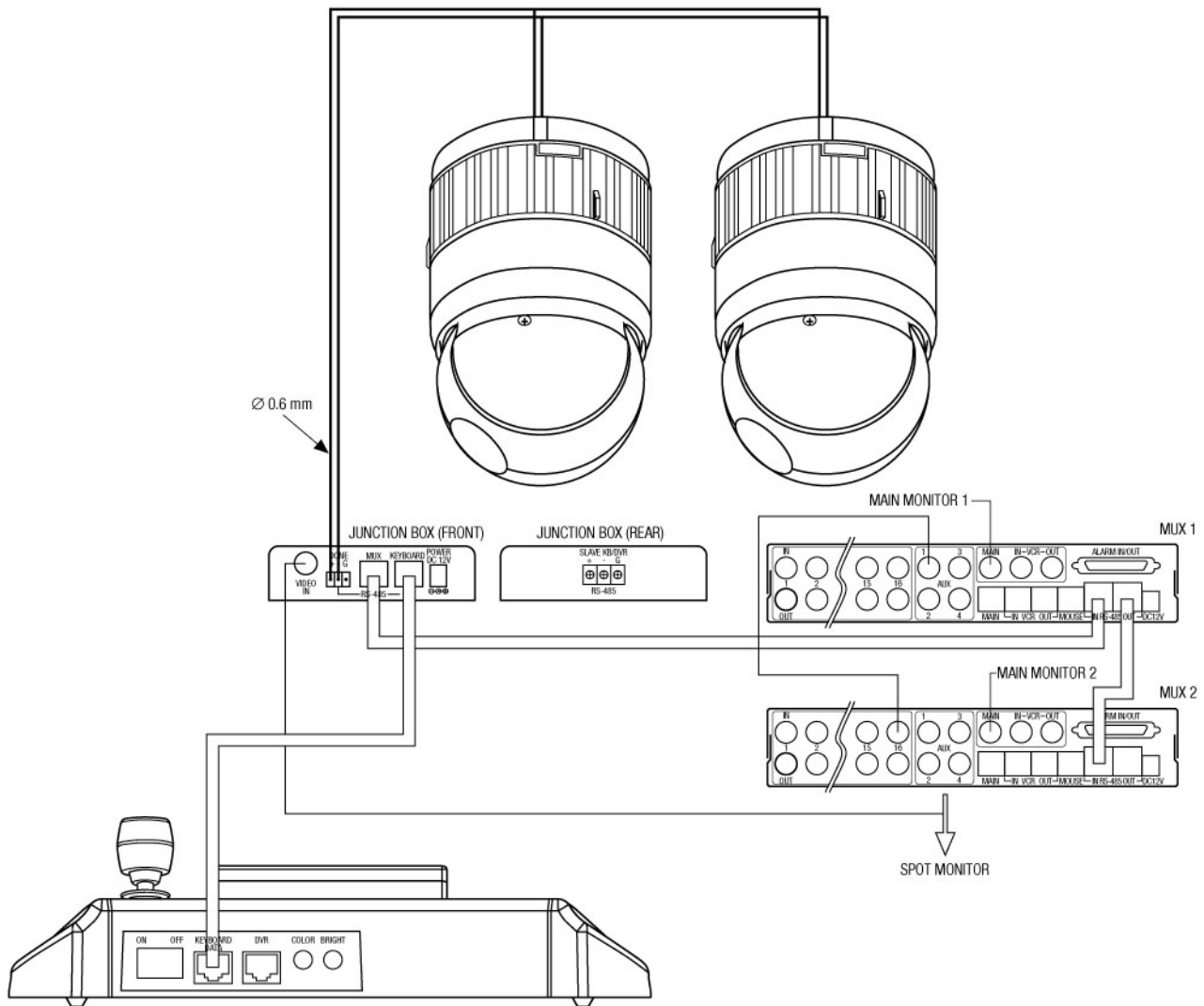
Backup	Non-volatile back box memory stores all camera and site-specific dome settings
Supply voltage	18 ~ 30VAC (24VAC nominal), 50/60Hz
Power consumption	Approx. 20watts
Temperature range	0°C ~ +50°C
Protection rating	IP40
Housing	Black plastic for indoor drop-ceiling mount
Dimensions (HxWxD)	See drawing
Weight	1.5kg

Accessories

70449 / NE-128	Voltage supply unit 230V/24VAC-5A, IP66
74095 / EDC-PBP	Protocol Converter BiPhase to RS-422, RS-485 for EDC Dome Cameras, 12VDC
74057 / EDC-IDF	Flush Mount Dome Housing, Smoked Bubble 4.9"
74078 / EDC-OPS-1/24V	Pendant Mount Outdoor Dome Housing Tinted Bubble 6.8", 24VAC
74077 / EDC-IPC-1/24V	Pendant Mount Indoor Dome Housing Clear Bubble 6.8", 24VAC
74076 / EDC-OPC-1/24V	Pendant Mount Outdoor Dome Housing Clear Bubble 6.8", 24VAC
74075 / EDC-IPS-1/24V	Pendant Mount Indoor Dome Housing Tinted Bubble 6.8", 24VAC
74082 / EDC-IPC-1/230V	Pendant Mount Indoor Dome Housing Clear Bubble 6.8", 230VAC
74083 / EDC-IPS-1/230V	Pendant Mount Indoor Dome Housing Tinted Bubble 6.8", 230VAC
74084 / EDC-OPC-1/230V	Pendant Mount Outdoor Dome Housing Clear Bubble 6.8", 230VAC
74085 / EDC-OPS-1/230V	Pendant Mount Outdoor Dome Housing Tinted Bubble 6.8", 230VAC
75201 / MTC-1	Matrix, Multiplexer and Telemetry Keyboard with Joystick, RS-485 Control
74088 / EDC-KBD1	System Keyboard with 3-axis Joystick, 12VDC/230VAC
74089 / EDC-CR1	Converter RS-232/RS-485, Repeater RS-485
74092 / EDC-KBDM-3	System Keyboard w. Joystick, 5" Monitor 12VDC/230VAC
70454 / AK-1	Camera Connection box, 230VAC Input 24VAC-80W, 12VDC-1A Output



Maße/Dimensions: mm



SLD Security & Communications
 The Old Forge, Ockham Lane, Ockham, Surrey GU236PH England
 Phone +44.1483225633 · Fax +44.1483225633
 sales@sld.co.uk · www.sld.co.uk

